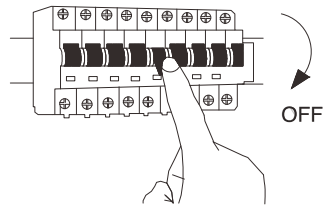
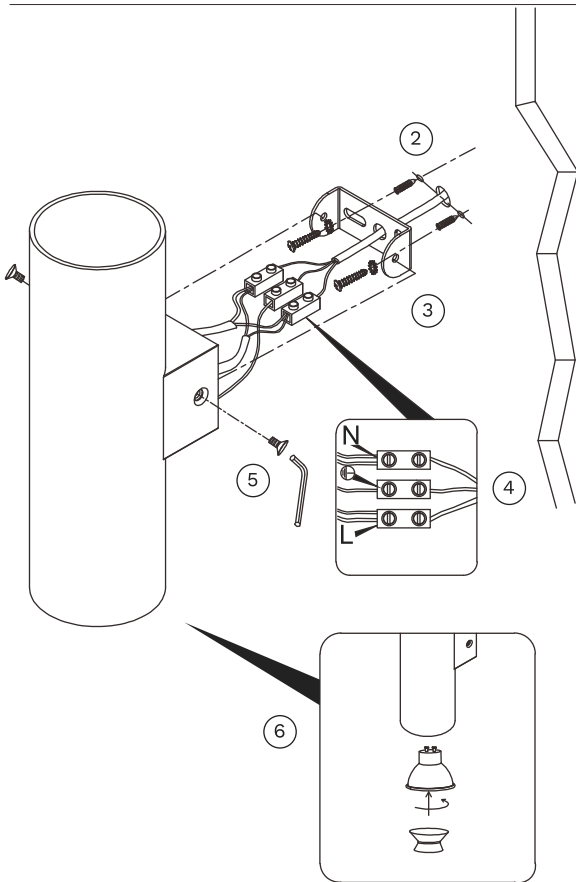


1

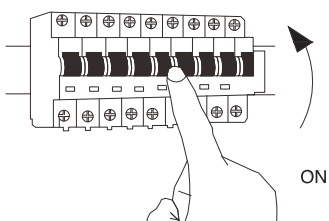


Turn off the general switch



- 2 Mark & drill holes & apply plastic anchors
- 3 Apply screws
- 4 Connect wires
- 5 Apply side screws
- 6 Insert bulb by rotating

7



Turn on the general switch

