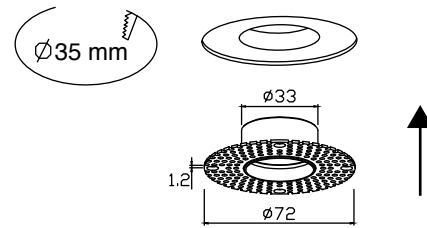
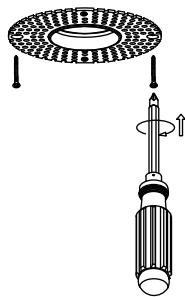


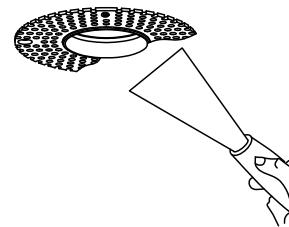
1. Turn off the general switch



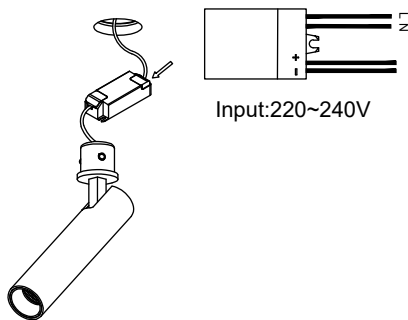
2. Create a cut out on the wall & insert the base on the wall



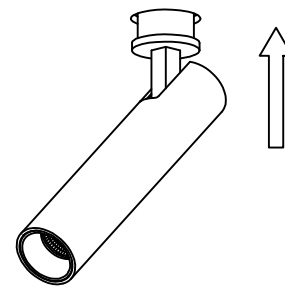
3. Make base stable, by tidying up the screws



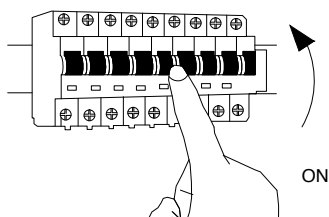
4. Apply concrete material or paint



5. Connect wires of the driver



6. Turn on the general switch



7. Turn on the general switch

