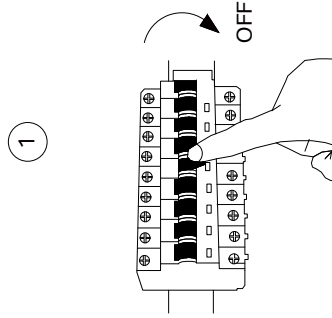


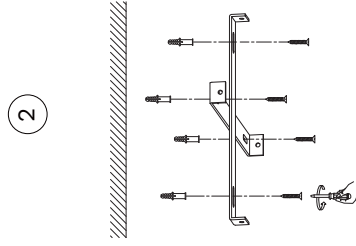
NOVA LUCE

9001096



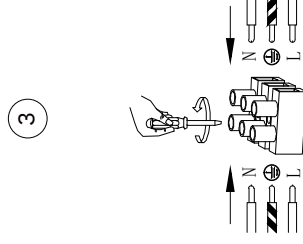
1

Turn off the general switch



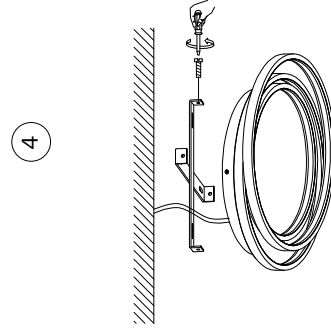
2

Mark, drill holes & apply plastic anchors with screws



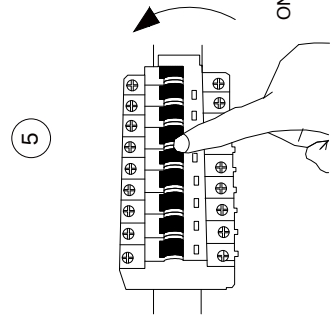
3

Connect the wires



4

Apply the Side screws



5

Turn on the general switch

