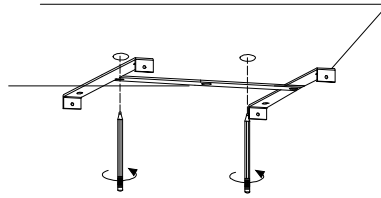
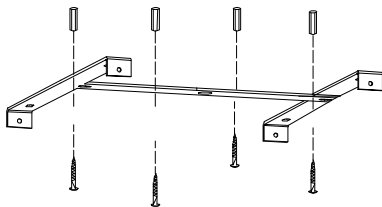


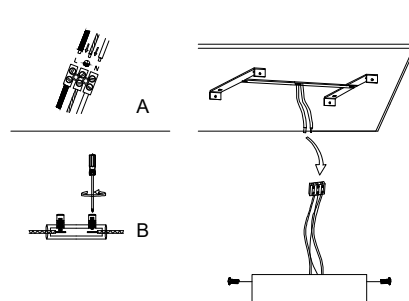
1. Turn off the general switch



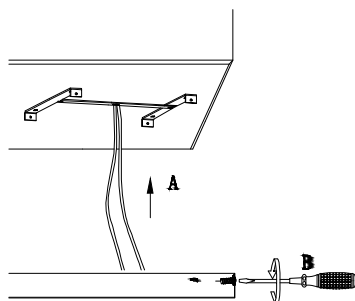
2. Mark & drill holes



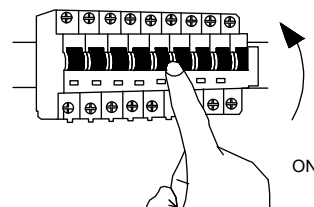
3. Apply plastic anchors with screws



4. Connect the wires



5. Apply the side screws



6. Turn on the general switch

