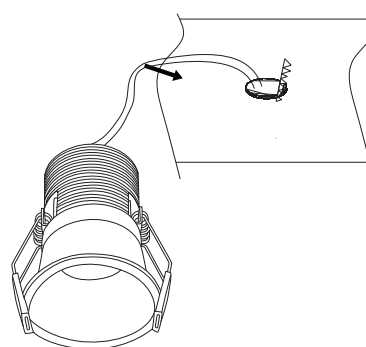
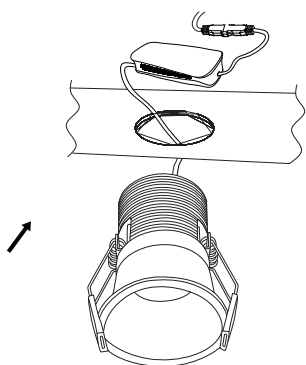


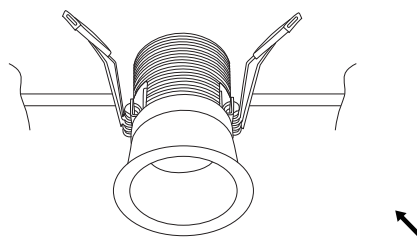
1. Turn off the general switch



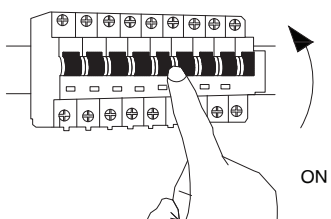
2. Cut out the hole according to size



3. Connect wires



4. Place the lamp into the ceiling



5. Turn on the general switch

