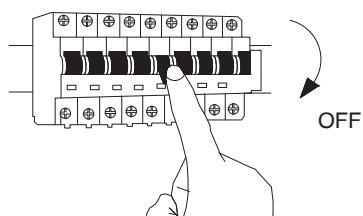


NOVA LUCE

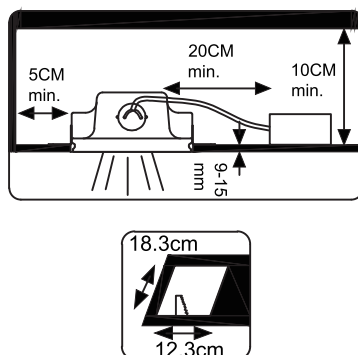
9188626

1



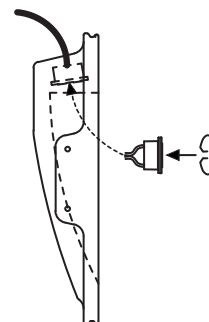
Turn off the general switch

2



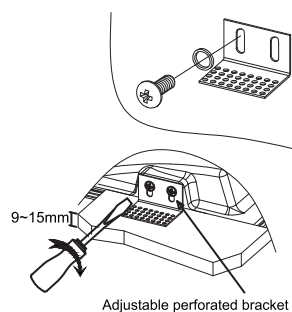
Create a CutOut

3



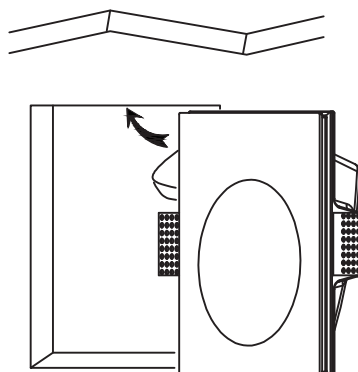
Insert the driver

4



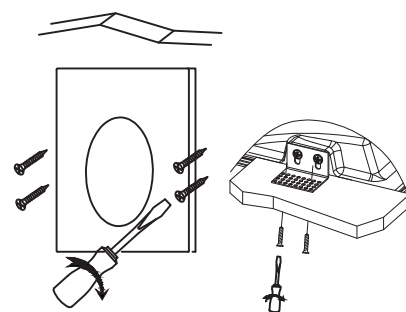
Tie up screws to assemble parts

5



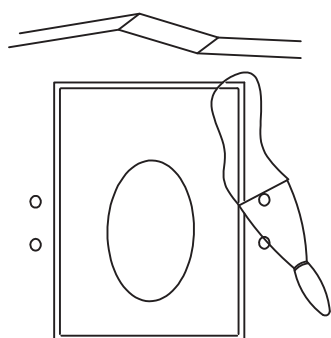
Fix it in place

6



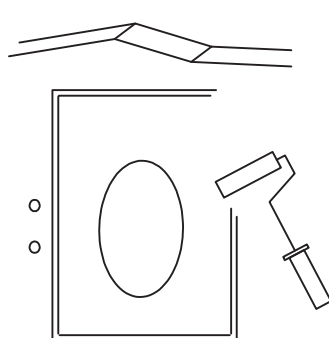
Fix it in place by tying up screws

7



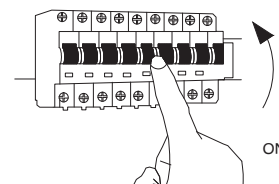
Apply a sealer of your choice

8



Apply a paint of your choice

9



Turn on the general Switch

