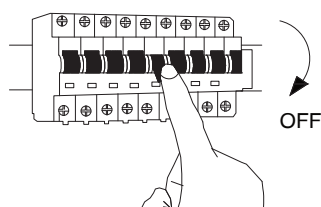
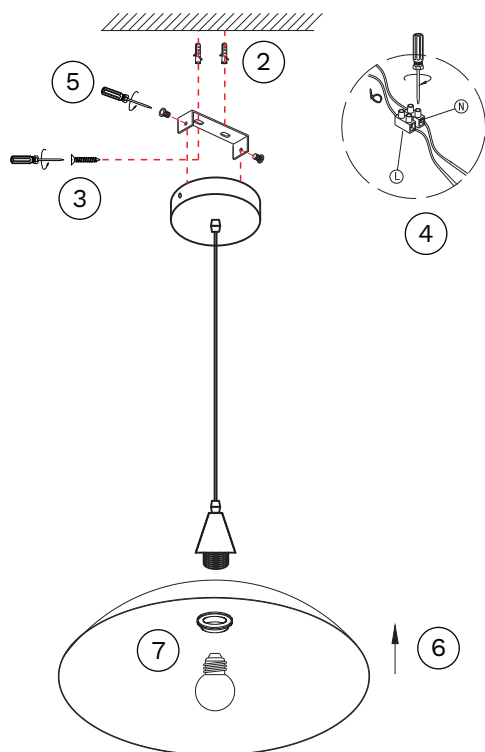


1

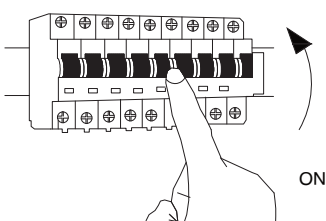


Turn off the general switch



- 2. Align, mark & drill holes & apply plastic anchors
- 3. Tie up screws
- 4. Connect wires
- 5. Place the canopy into place & tie up side screws
- 6. Apply the cap by rotate
- 7. Insert the ring & the bulb by rotate

8



Turn on the general switch

