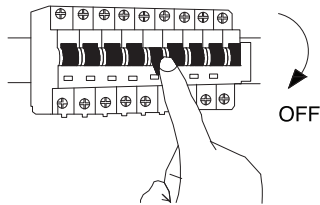


# NOVA LUCE

9680110/ 9680112

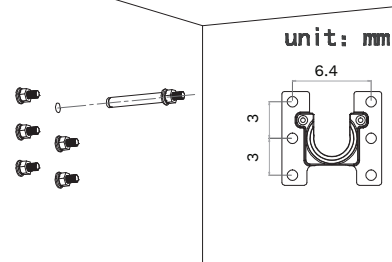
## Wiring Instructions

①



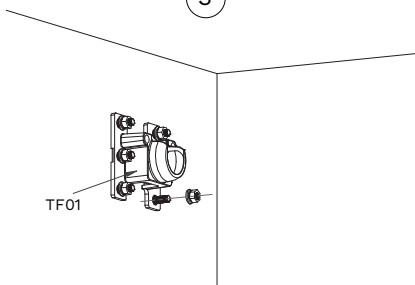
Turn off the general switch

②



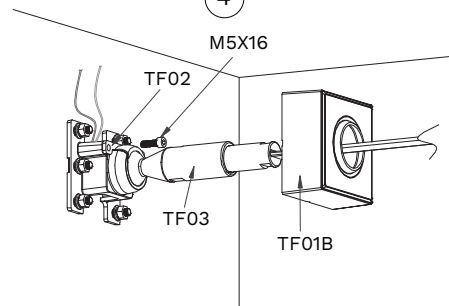
Apply the screws, mark & drill a hole

③



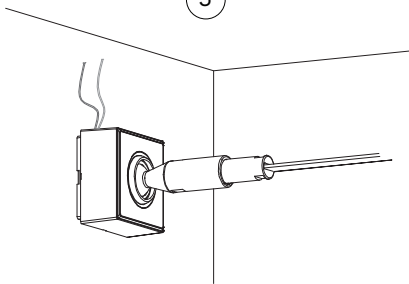
Fix well the base

④



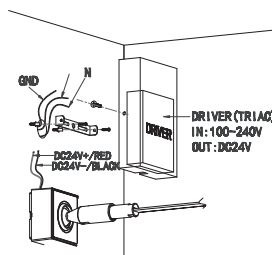
Fix the globular accessory by M5X16

⑤



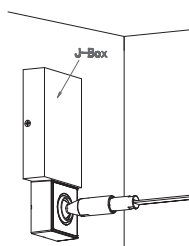
Cover TF01B onto TF02

⑥



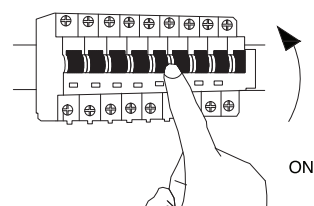
Connect wires for driver and track

⑦



Apply the J-Box on the ceiling

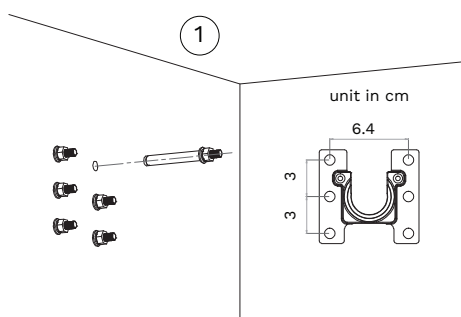
⑧



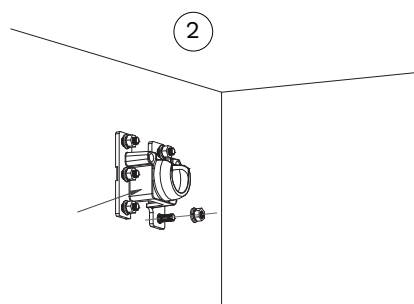
Turn on the general switch



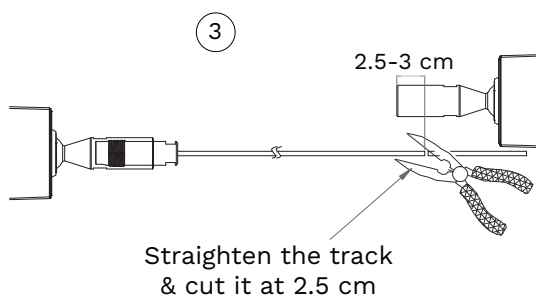
## Wiring Instructions - Side B1



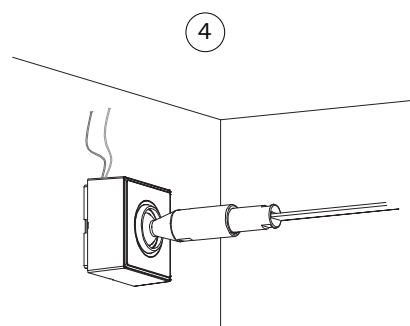
Apply the screws, mark & drill a hole



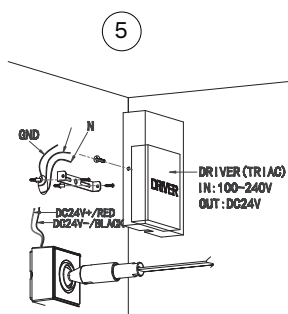
Cover TF01B onto TF02



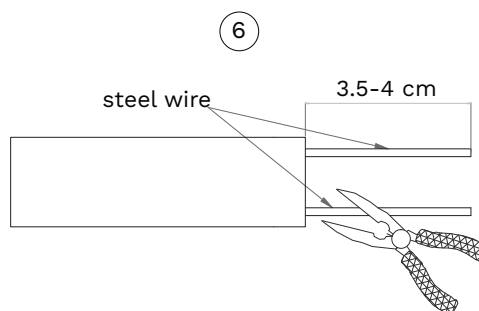
Remove the extra track by cutting it



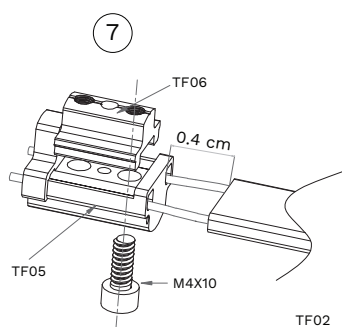
Cover TF01B onto TF02



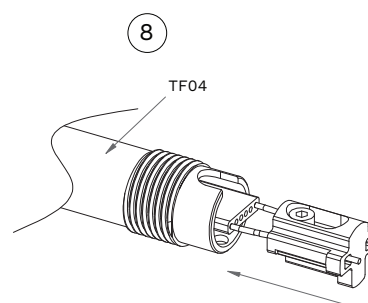
Connect wires for driver and track



Peel off the plastic cover of the wires & expose the steel wire



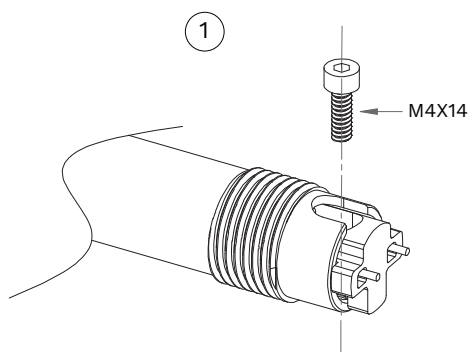
Nip the steel wire



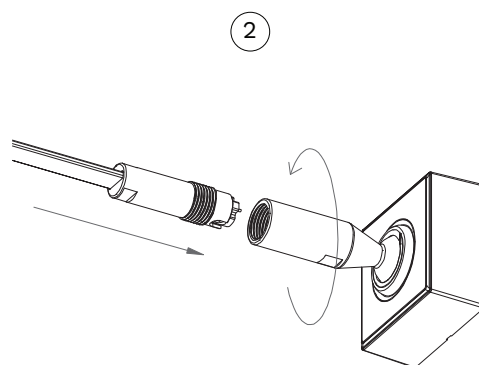
Insert the steel wire into TF04



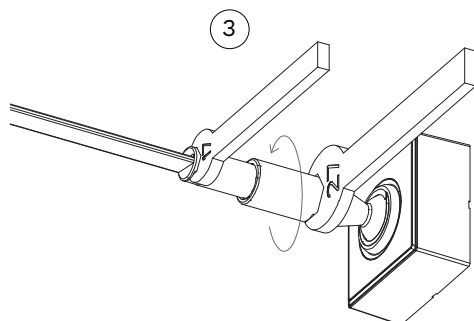
## Wiring Instructions - Side B2



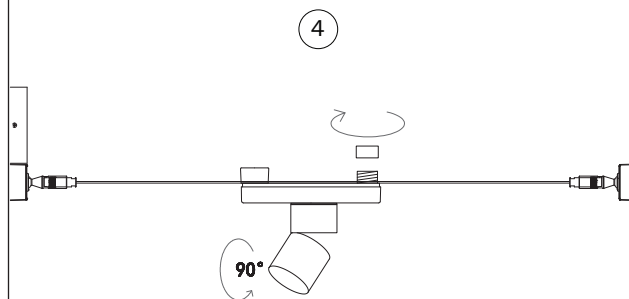
Apply the M4X12 screws & connect the TF04



Rotate TF03 into TF04



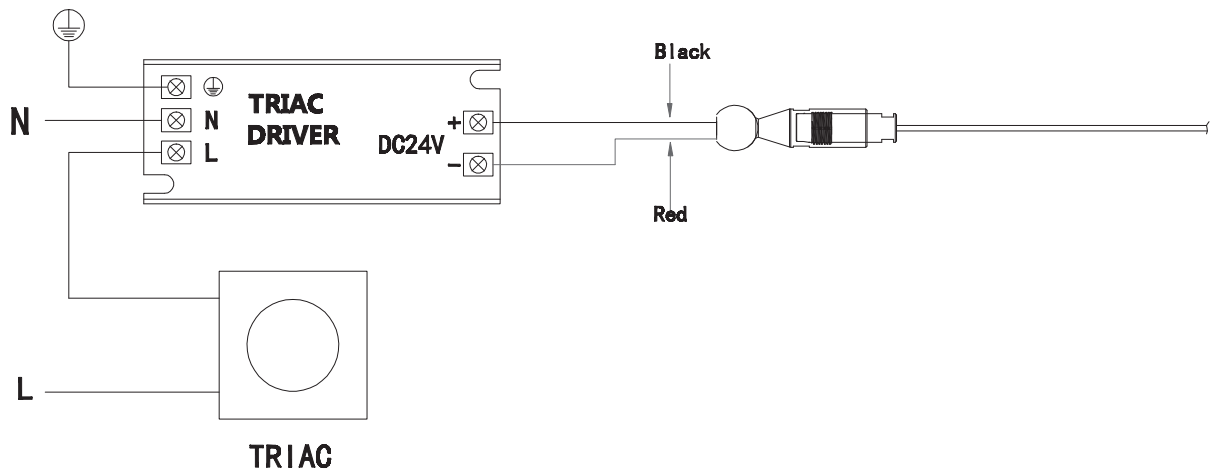
Tighten up by rotate



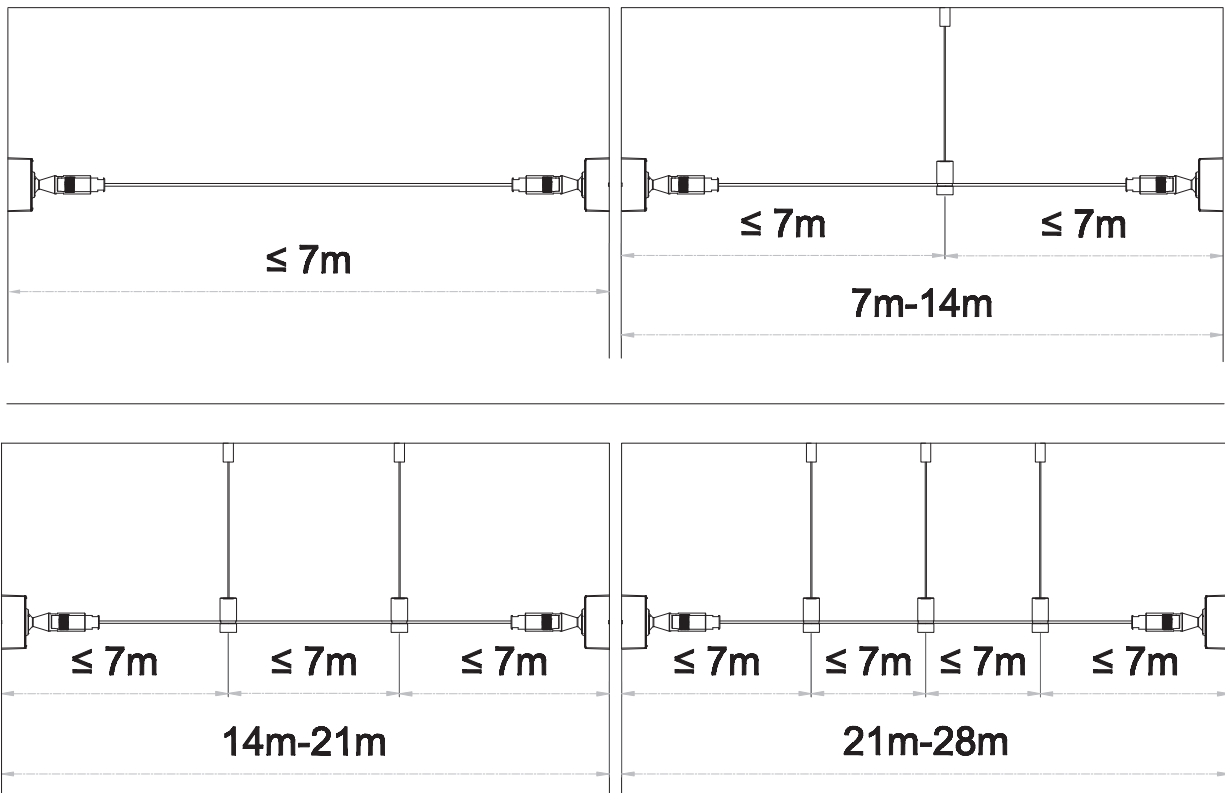
Install the lamps on track



## Wiring Instructions - Side B3



Connect two copper wires to the DC port of the power supply



It is recommended to add messenger wire position

