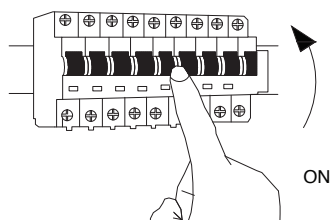
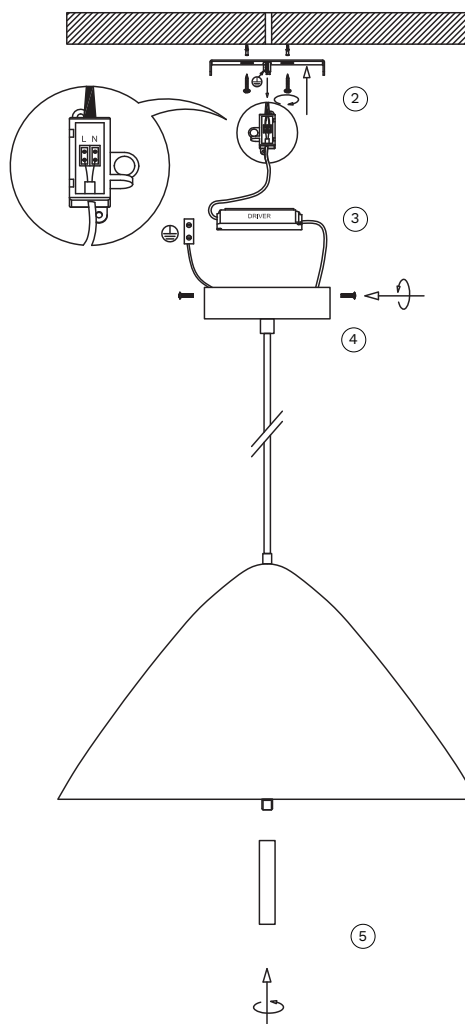


1. Turn off the general switch



6. Turn on the general switch



1. Turn off the general switch
2. Align, mark & drill holes, apply plastic anchors & tight up screws
3. Connect wires
4. Apply side screws
5. Insert bulb by rotating & pressing it upwards
6. Turn on the general switch

