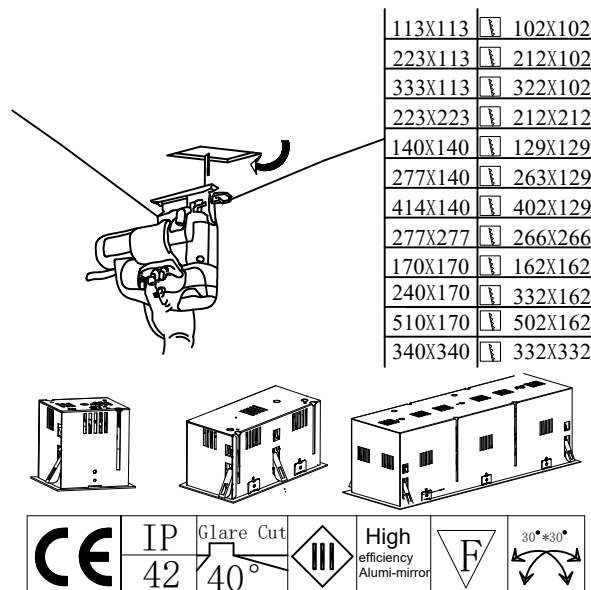
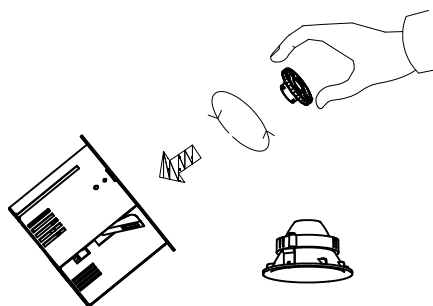


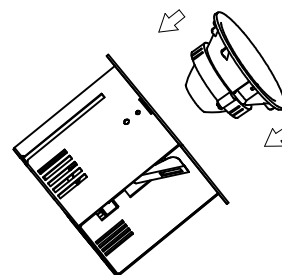
1. Turn off the general Switch



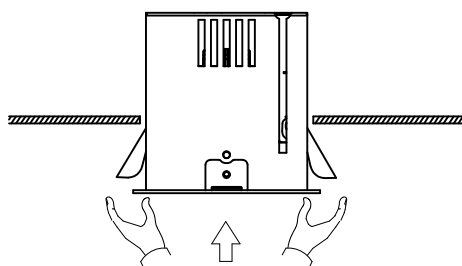
2. Create a CutOut



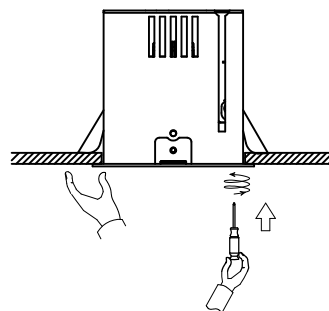
3. For the installation of the bulb to be correct, first twist & lock into place



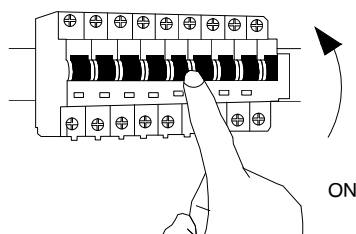
4. Then proceed into insertation



5. Insert the luminaire into the hole



6. Fix it into place by tidying up the screws



7. Turn on the general Switch