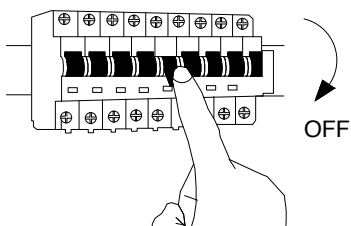
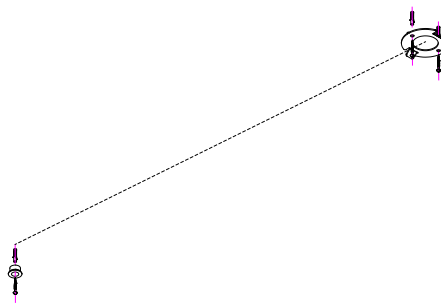


NOVA LUCE

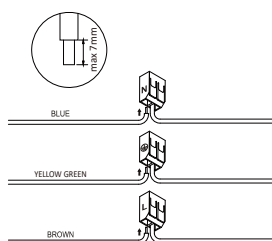
9088215



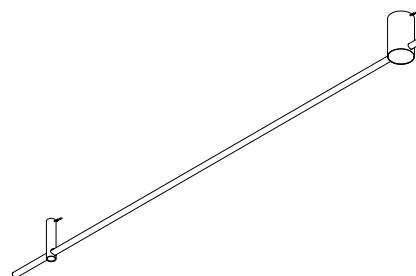
1. Turn off the general Switch



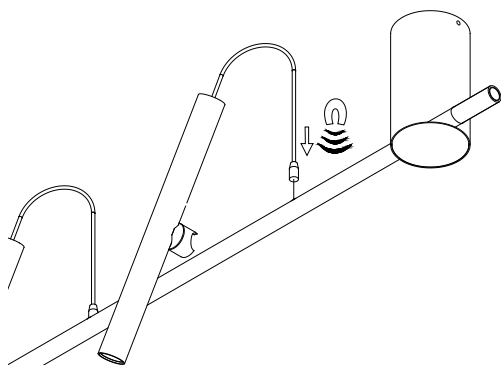
2. Align, mark and drill holes to apply the screws



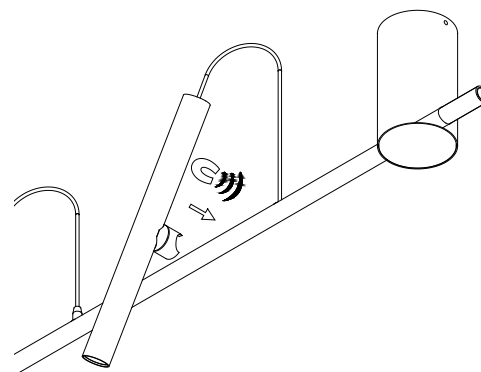
3. Connect the 3 wires



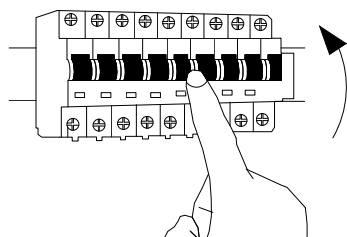
4. Apply the side screws



5. Connect the wires



6. Put the light sources into the track



7. Turn on the general Switch

