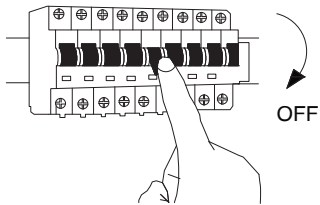
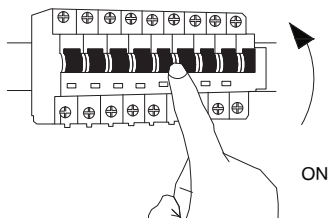


1

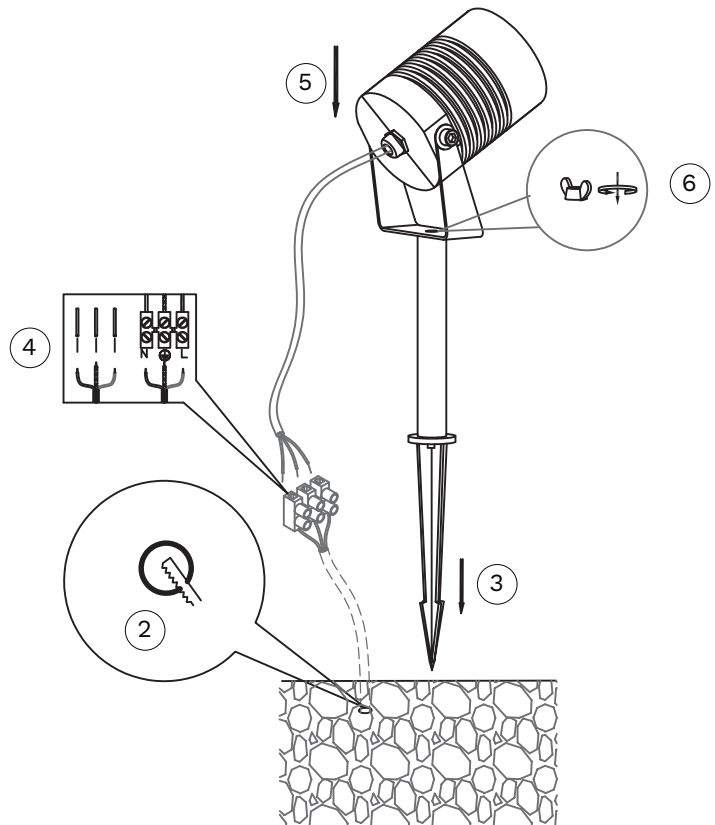


Turn off the general switch

9



Turn on the general switch



1. Turn off general switch
2. Drill hole
3. Insert the spike into the soil
4. Connect the wires
5. Adjust it into place
6. Apply the screw to make it stable
7. Turn on the general switch

