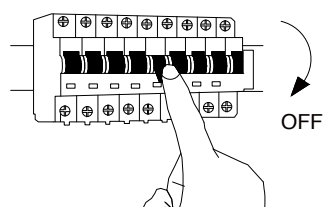
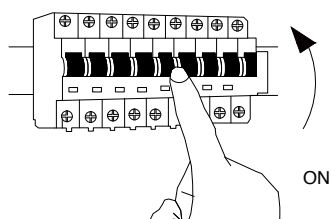


1

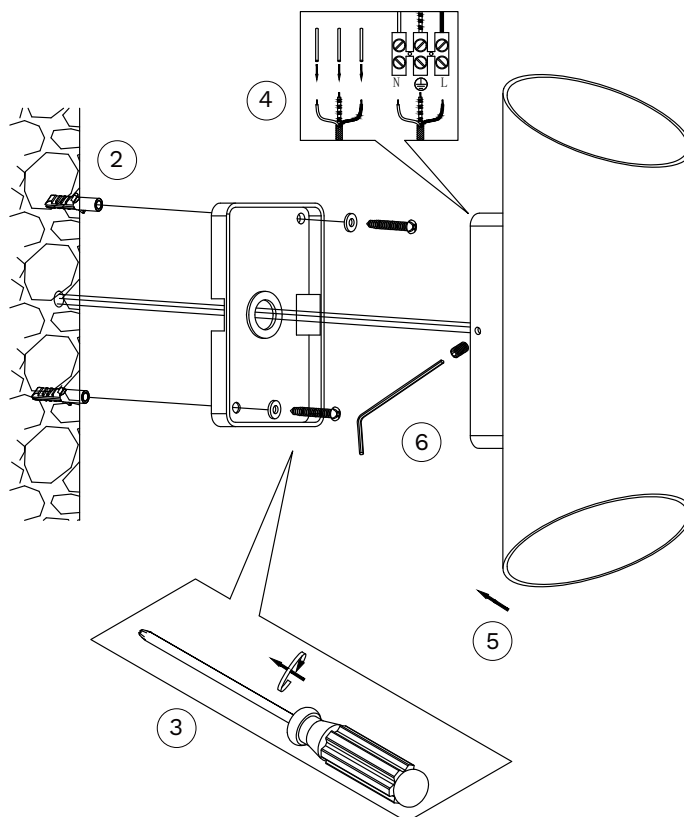


Turn off the general switch

7



Turn on the general switch



1. Turn on the general switch
2. Drill holes & apply plastic anchors with screws
3. Tight them up

4. Connect the wires
5. 6. Put it in place & apply side screws
7. Turn on general switch

