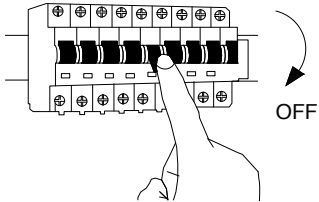


NOVA LUCE

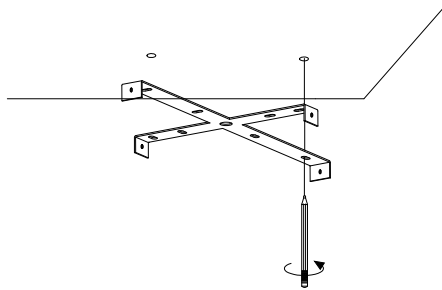
9130644

1



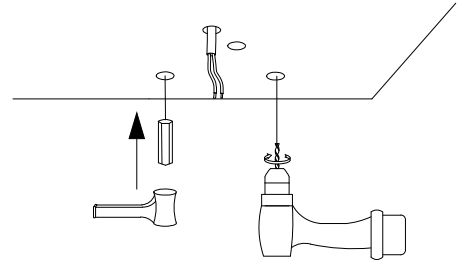
Turn off the general switch

2



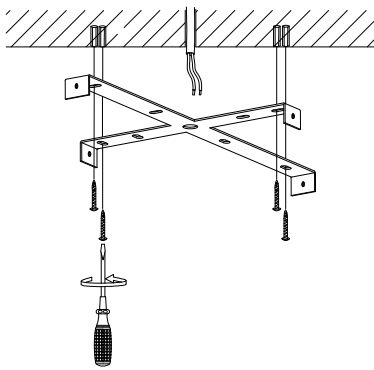
Mark where to drill holes

3



Make holes & apply anchors

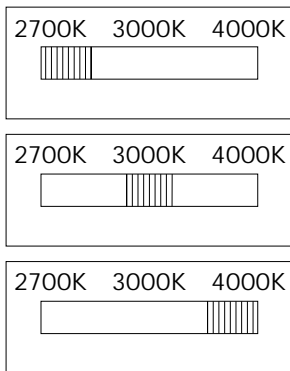
4



Tie up the screws to make it stable

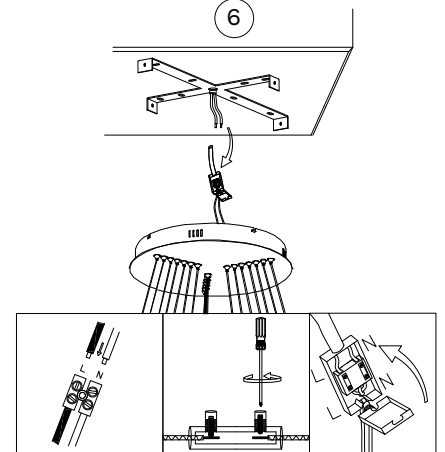
5

CCT switch in canopy



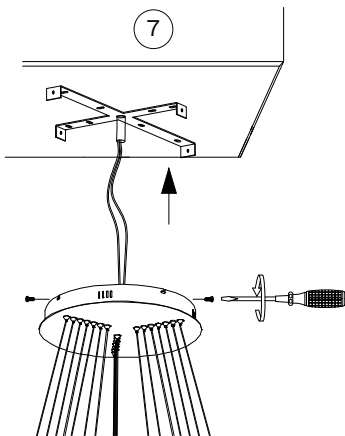
Choose the color temperature

6



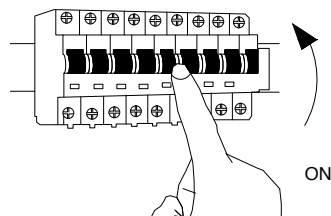
Connect the wires

7



Put it in place & Apply side screws

8



Turn on the general switch

9

