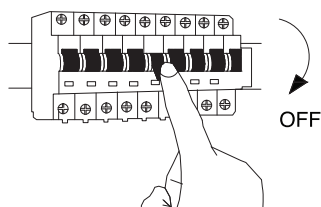


NOVA LUCE

9680127/ 9680128

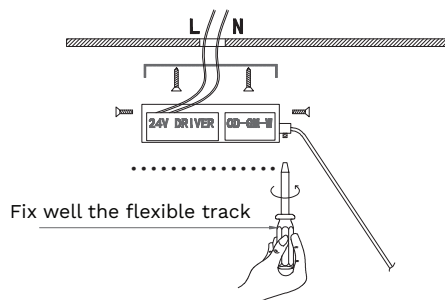
Wiring Instructions

①



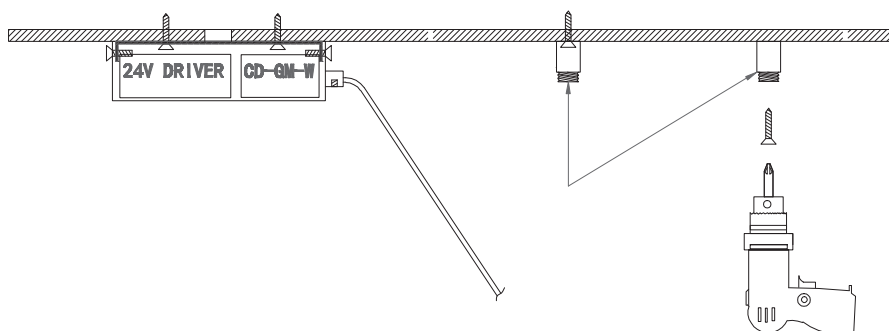
Turn off the general switch

②



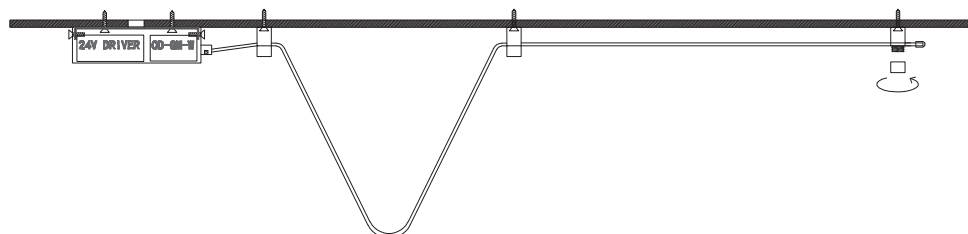
Fix the hanging board on ceiling, driver
Connect L/N wiring & flexible track wire
& then the power box properly

③



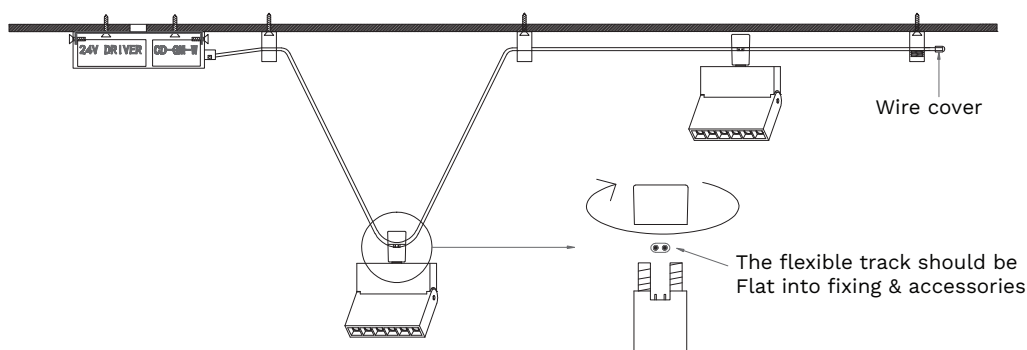
Apply the screws into positions

④



Fix the flexible track to create the desirable shape

⑤

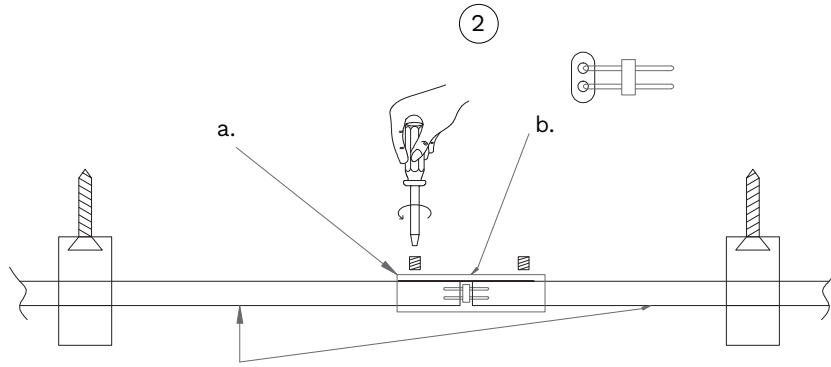


Insert the bulbs by rotating them



Installation Remark

①

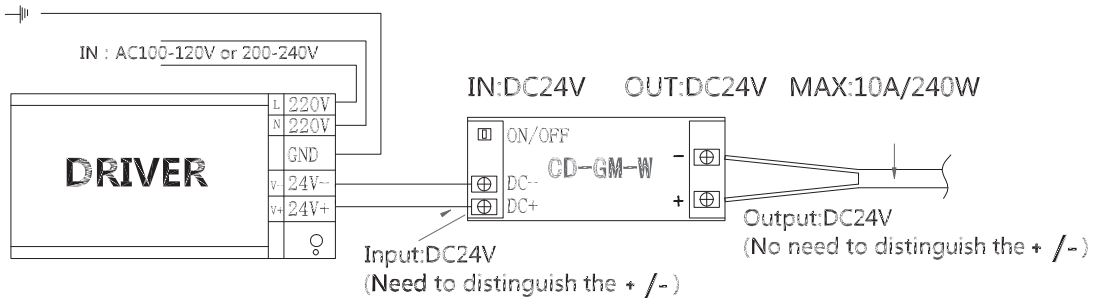


Those locations can't install lamps

a. Connect the parts

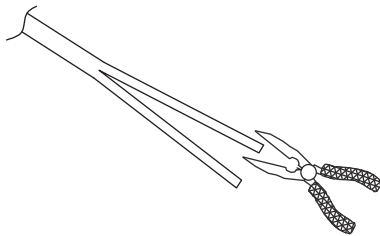
b. Apply the pin into the copper wire

②



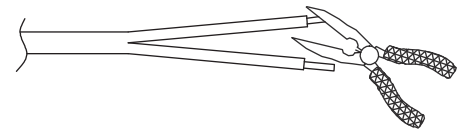
Connect the copper wires to the DC port of the power supply

③



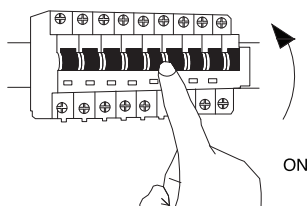
Cut off the middle wire

④



Strip off the outer silicone coating
To expose inner copper wire

⑤



Turn on the general switch

Attention:

- Loosen the cap of the fixing fixture, then adjust the flexible track
- Loosen connection cap of the lamp, then move it for adjustment
- The weight of all lamps between two fixing should be $\leq 3\text{KG}$
- The total power of lamps shall not exceed 80% of the driver's power
- Don't pull the flexible track after installation
- Due to voltage drop, please follow bellow instruction:
 - If the flexible track is 15M, total power of lamps should be $\leq 125\text{W}$
 - If the flexible track is 25M, total power of lamps should be $\leq 70\text{W}$
 - If the flexible track is 35M, total power of lamps should be $\leq 55\text{W}$
 - If the flexible track is 45M, total power of lamps should be $\leq 42\text{W}$

Note: Different spatial shapes are determined by the location of the fixed point, which should be installed according to the design drawing.