

# NOVA LUCE

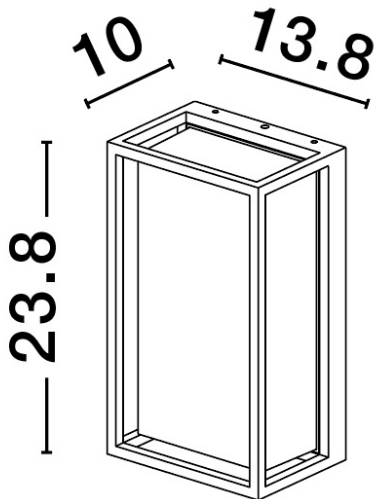
## PRODUCT DATASHEET

Version: 001

### PRODUCT PHOTOGRAPH



### TECHNICAL DRAWING



### GENERAL INFORMATION

|                         |         |
|-------------------------|---------|
| Product Code            | 9492760 |
| Collection              | Outdoor |
| Product Category        | Wall    |
| Product Family          | REGINA  |
| Mounting Location       | Wall    |
| Application Environment | Outdoor |

### DIMENSION & WEIGHT

|              |                       |
|--------------|-----------------------|
| LxWxH (cm)   | L: 13,8 W: 10 H: 23,8 |
| Cut out (cm) | N/A                   |
| Weight (Kgr) | 1.0                   |

### MATERIAL & COLOR

|               |                       |
|---------------|-----------------------|
| Product Color | Anthracite            |
| Body Material | Die-Casting Aluminium |

### APPLICATION & MOUNTING

|                            |           |
|----------------------------|-----------|
| Ambient Working Temp.      | Max 40 oC |
| Type of Protection         | IP65      |
| Dimmable                   | No        |
| Type of Dimming (Optional) | N/A       |
| Mounting type              | Surface   |
| Mounting Depth (cm)        | N/A       |
| Led Module Replaceable     | Yes       |
| Light Source               | E27       |

NOVA LUCE S.A

Schimatari Viotias  
32009, Greece

+30 22620 58 121  
+30 22620 56 743

info@novaluce.com  
www.novaluce.com



# NOVA LUCE

---

## PRODUCT DATASHEET

Version: 001

---

### ELECTRICAL DATA

|                         |                   |
|-------------------------|-------------------|
| Power (Nominal)         | <b>12W</b>        |
| Input voltage (Nominal) | <b>220-240Vac</b> |
| Mains Frequency         | <b>50/60Hz</b>    |

### PHOTOMETRICAL DATA

|                           |            |
|---------------------------|------------|
| Luminus Flux              | <b>N/A</b> |
| Color Temperature         | <b>N/A</b> |
| Light Color (Designation) | <b>N/A</b> |

### WARRANTY

|          |                |
|----------|----------------|
| Warranty | <b>3 Years</b> |
|----------|----------------|

### CERTIFICATES

|              |                |
|--------------|----------------|
| Certificates | <b>CE,UKCA</b> |
|--------------|----------------|

