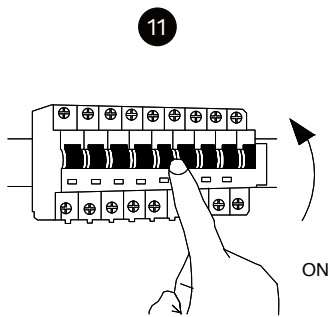
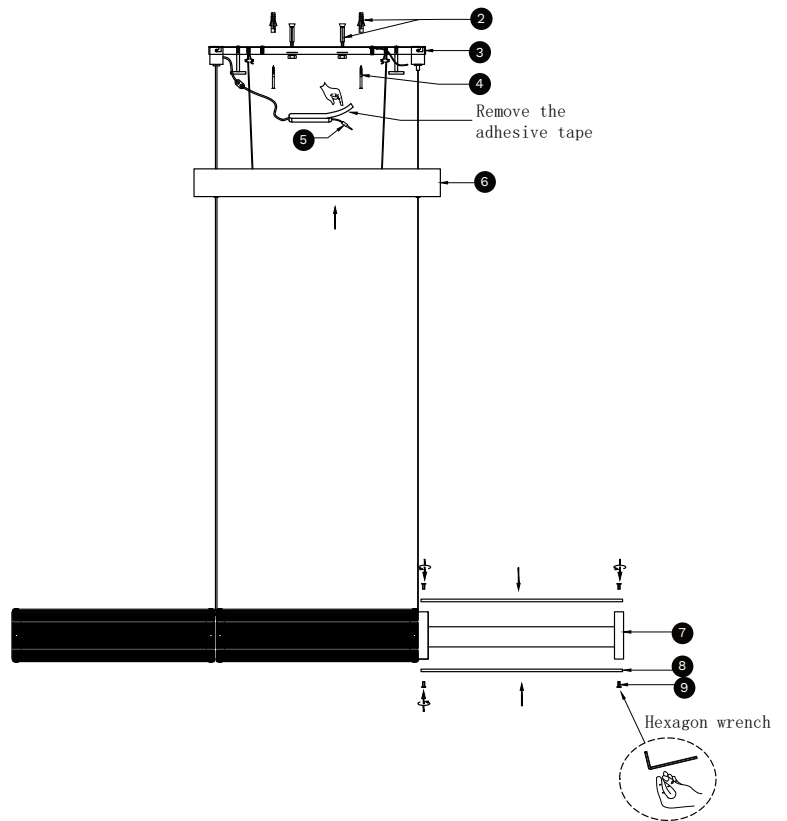


Turn off the general switch



Turn on the general switch



1. Turn off general switch
2. Drill a holes, apply plastic anchors
3. Apply the element
4. Apply screws
5. Connect the wires
6. Apply the element
7. 8. 9. Apply the elements in place with Screws
10. Apply the screws
11. Turn on general switch



1. Please read the instruction sheet carefully before installing the lamps
2. In order to products, please use gloves when assembling the lamps. Don't scratch the surface to the products.
3. The lamps can't be used any longer if the cords of lamps are damaged.



Shut off the power ,before assembling the lamps. Make sure it's safe then Assemble the lamps strictly according to the instruction sheet. Our company Will not be responsible for any breakage caused by incorrect installation.