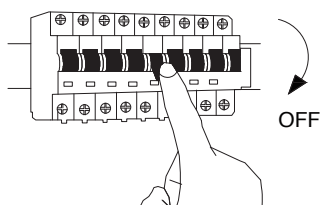
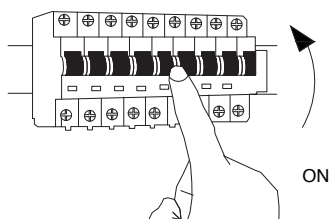


1

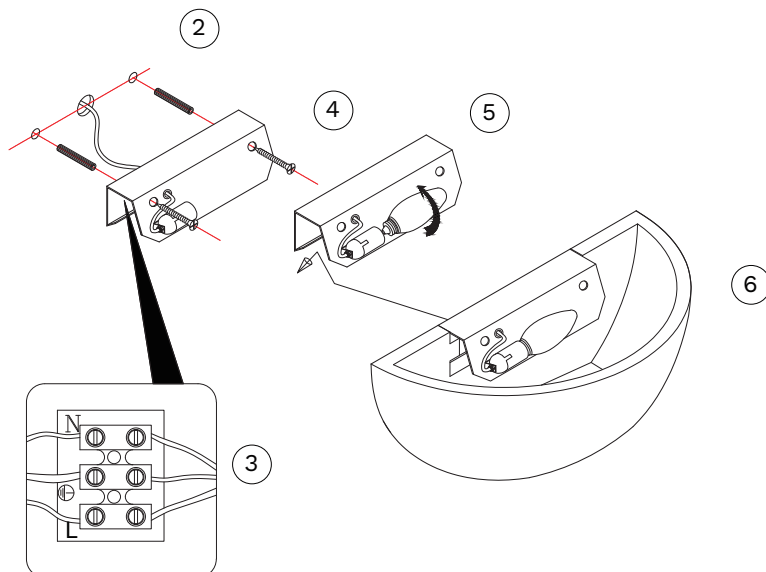


Turn off the general switch

7



Turn on the general switch



1. Turn on the general switch
2. Drill holes apply plastic anchors with screws
3. Connect screws
4. Apply screws
5. Apply bulb
6. Apply the product in to place
7. Turn on general switch

