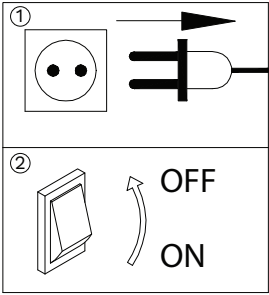


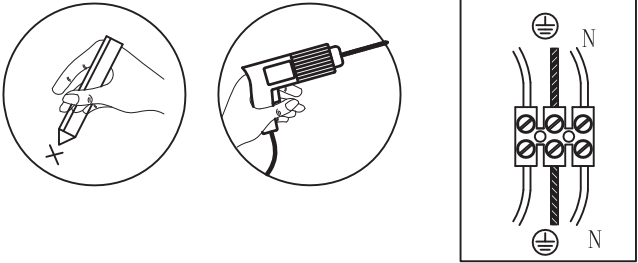
①



Unplug it from power

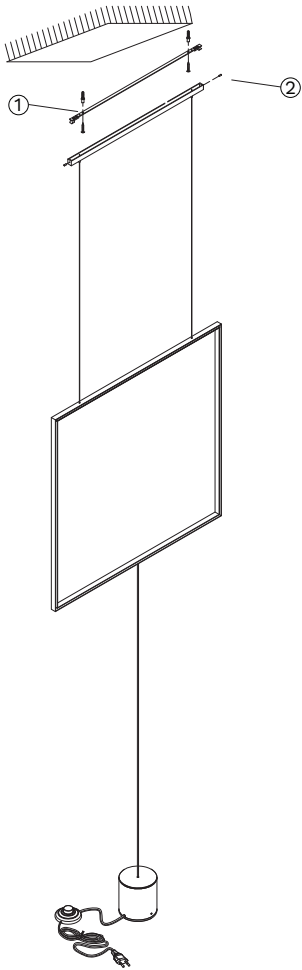
Turn off the General Switch

②



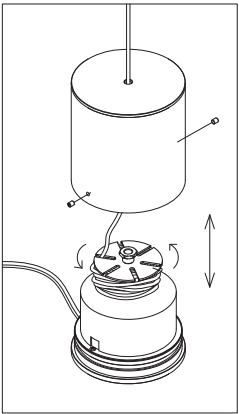
Align, mark & drill holes & connect wires

③



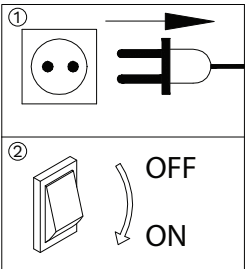
Apply screws to make the base stable
Tight up side screws

④



Apply side screws

⑤



Plug it in power

Turn on the Switch