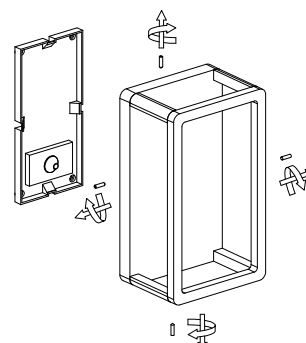
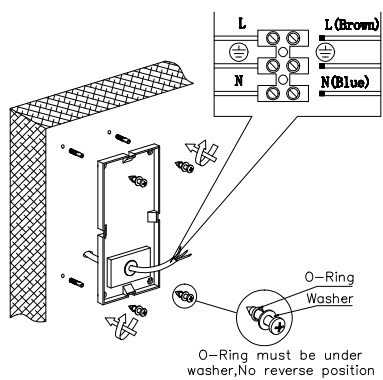


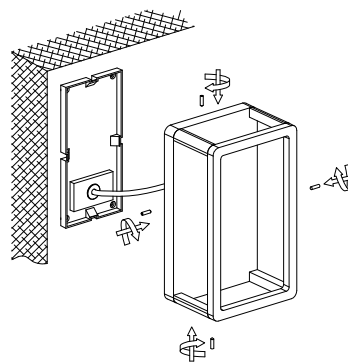
1. Turn off the general switch



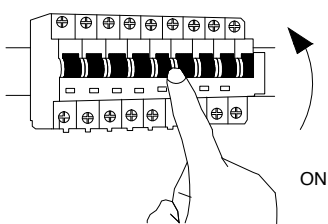
2. Untie screws & remove the lid



3. Tie up screws & connect wires



4. Connect wires & apply side screws



5. Turn on the general switch

