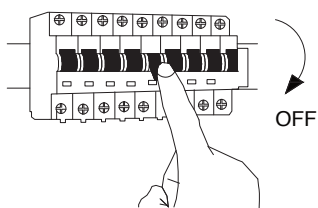
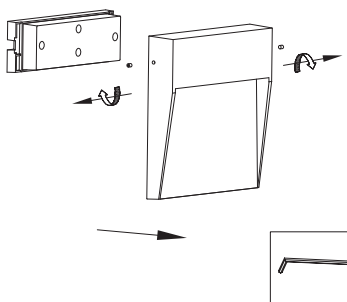


1



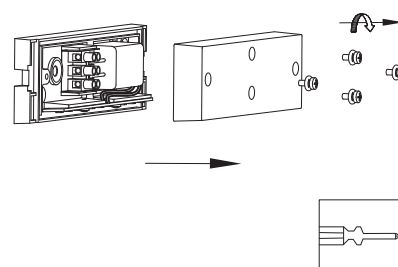
Turn off the general switch

2



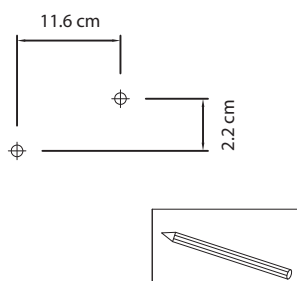
Dismantle parts by untying screws

3



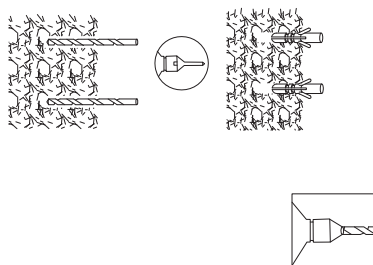
Remove the cap

4



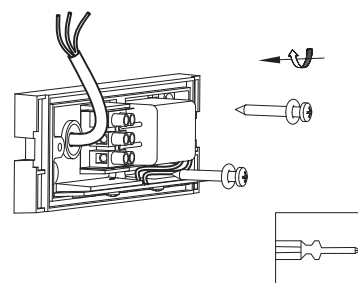
Mark holes

5



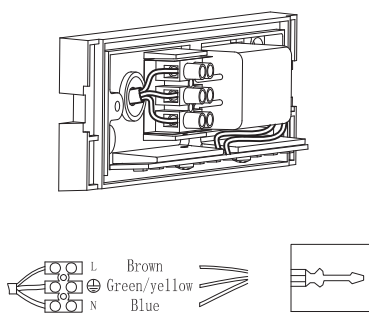
Drill holes & apply anchors

6



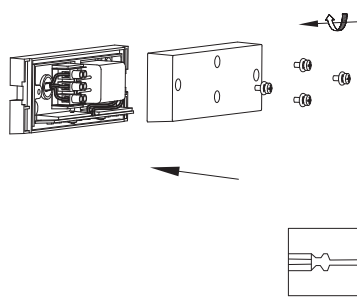
Tie up screws

7



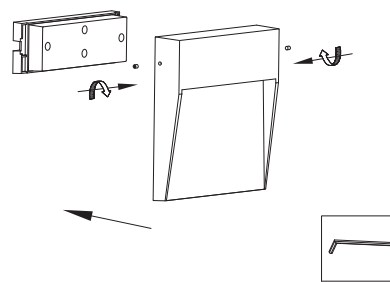
Connect wire

8



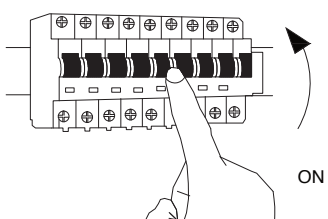
Apply the cap into place

9



Tie up nuts to make it stable

10



Turn on the general switch

