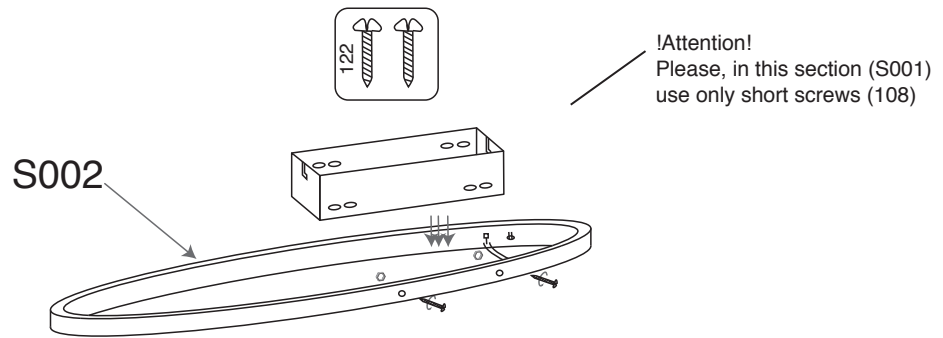
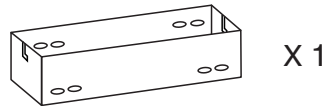
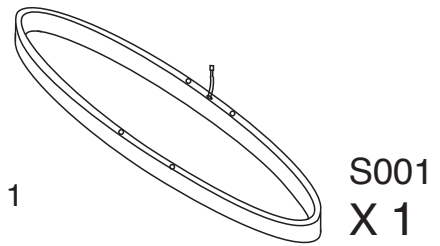
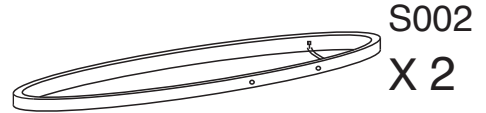
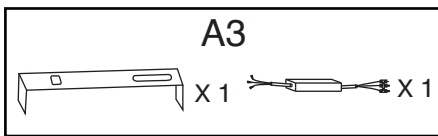
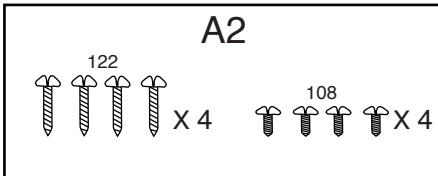
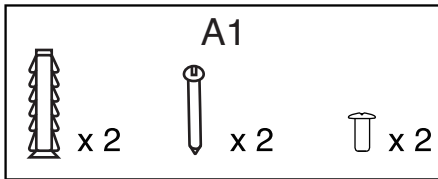
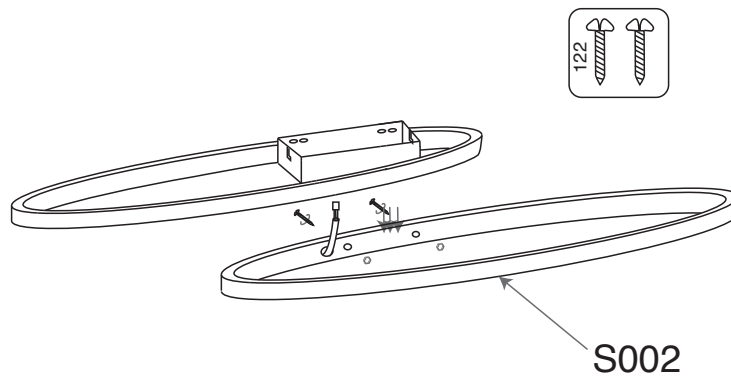


# NOVA LUCE

9011323



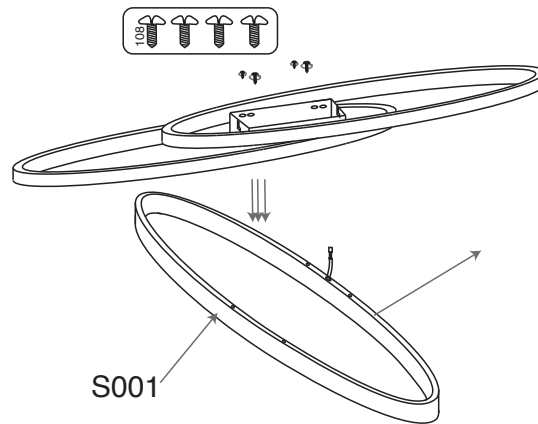
1. Assemble the parts by applying screws



2. Connect the parts together by tiding up the screws

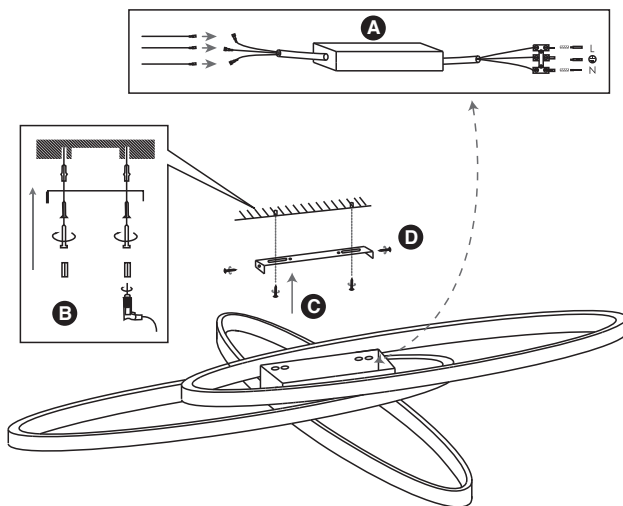


On the element S001 use only short screws (108)



**3.** Apply screws (108) to keep connecting the parts.

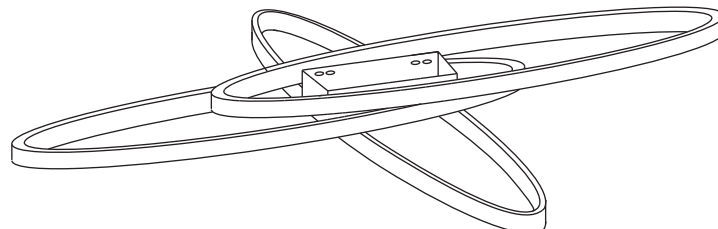
---



**4.**

---

- A.** Connect wires
  - B.** Tie up the screws into the anchors
  - C.** Apply screws on the base
  - D.** Apply side screws to make it stable
- 



## IMPORTANT

Always shut off the power to the circuit before starting installation work. In some countries electrical installation work may only be carried out by authorised electrical contractor. Contact your local electricity authority for advice.