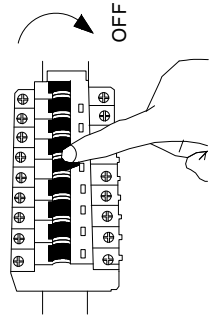


NOVA LUCE

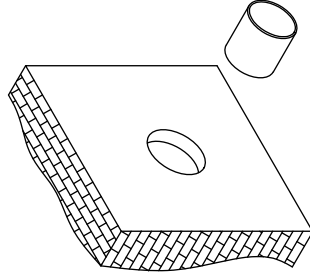
9136187, 9136188

1



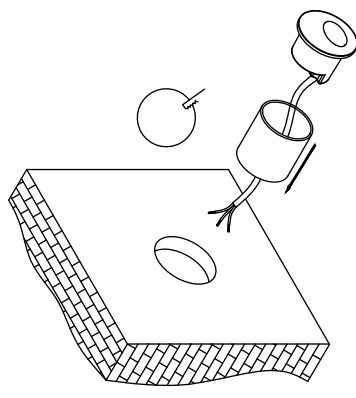
Turn off the general switch

2



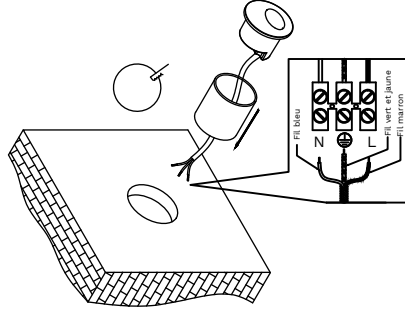
Mark where to create a CutOut

3



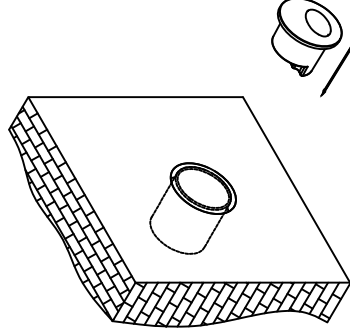
Create a CutOut

4



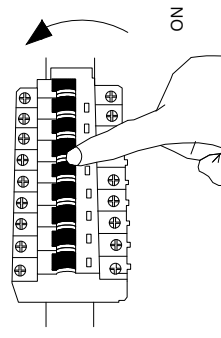
Connect wires

5



Connect parts together
by tying it up into place

6



Turn on the general switch

7

