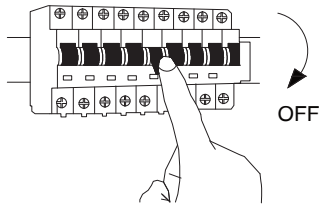


# NOVA LUCE

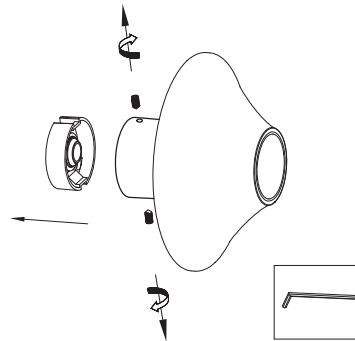
9136406 9136407 9136408

1



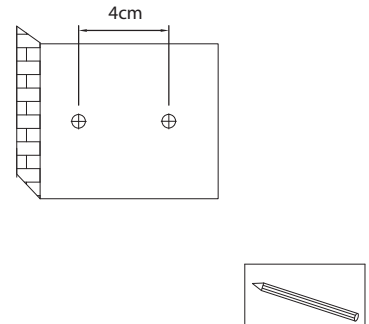
Turn off the general switch

2



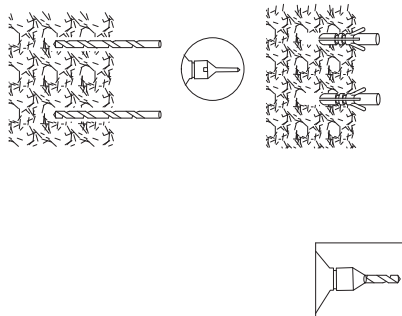
Dismantle parts by untying the screws

3



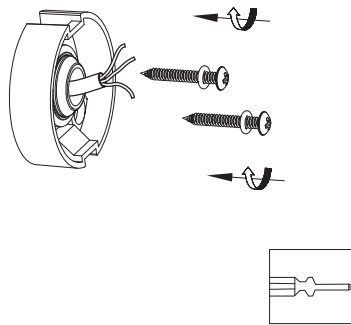
Mark holes

4



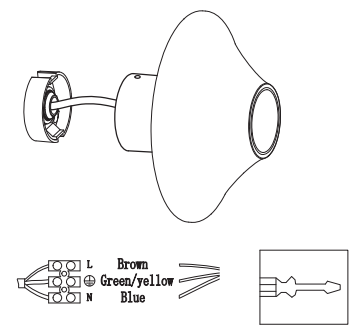
Drill holes & apply plastic anchors

5



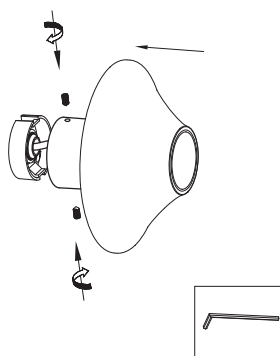
Tie up screws

6



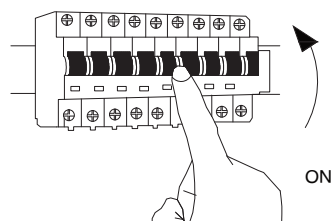
Connect wires

7



Assemble parts by tying up screws

8



Turn on the general switch

9

