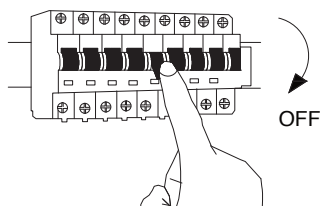


NOVA LUCE

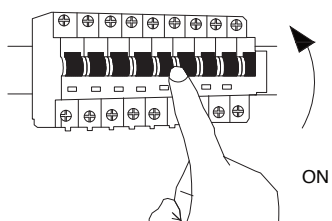
9020021 9020061
9040021 9040061

1

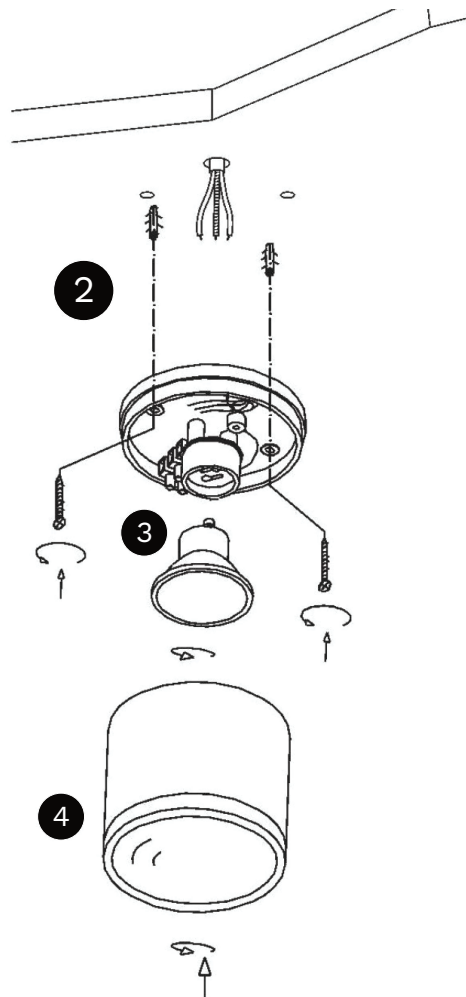


Turn off the general switch

5



Turn on the general switch



1. Turn off the general switch
2. Drill holes & apply plastic anchors with screws
3. Connect the wires & insert the bulb

4. By rotating apply the cap
5. Turn on the general switch

