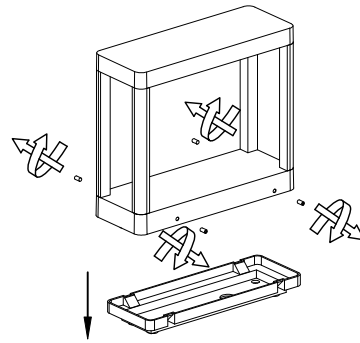
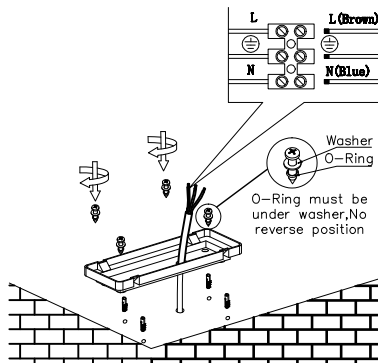


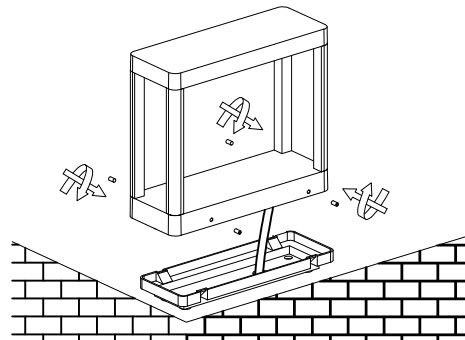
1. Turn off the general switch



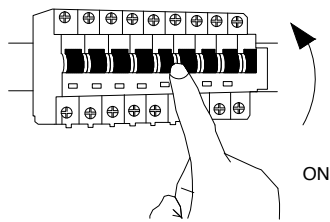
2. Untie side screws



3. Install cable, tie up screws & connect the wires



4. Tie up side screws



5. Turn on the general switch

