

# NOVA LUCE

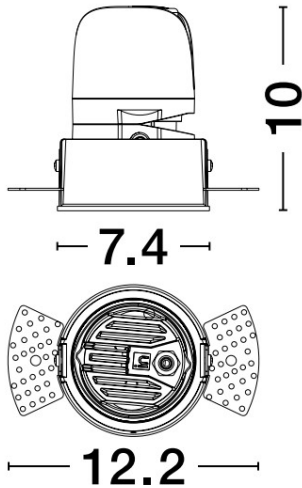
PRODUCT DATASHEET

Version: 001

## PRODUCT PHOTOGRAPH



## TECHNICAL DRAWING



## COMPATIBLE WITH

— On/Off Driver: Included

— Triac Driver: 9844019

— Dali Driver: 9621523 / 9844010

## GENERAL INFORMATION

Product Code	9570009
Product Category	Downlights
Product Family	Homer
Mounting Location	Ceiling
Application Environment	Indoor

## DIMENSION & WEIGHT

LxWxH (cm)	D: 7.4 H: 10
Cut out (cm)	7,5
Weight (Kgr)	N/A

## MATERIAL & COLOR

Product Color	Black
Body Material	Aluminium
Cover Material	N/A

## APPLICATION & MOUNTING

Ambient Working Temp.	45 C
Type of Protection	IP20
Protection Class IK	IK03
Dimmable	Yes
Type of Dimming (Optional)	Triac/Dali
Mounting type	Trimless
Mounting Depth (cm)	Ceiling
Led Module Replaceable	No
Light Source	Led
Adjustable	No

NOVA LUCE S.A

Schimatari Viotias  
32009, Greece

+30 22620 58 121  
+30 22620 56 743

info@novaluce.com  
www.novaluce.com



# NOVA LUCE

## PRODUCT DATASHEET

Version: 001

### ELECTRICAL DATA

Power (Nominal)	<b>10</b>
Input voltage (Nominal)	<b>220-240Vac</b>
Mains Frequency	<b>50/60Hz</b>
Output voltage	<b>40Vdc</b>
Output Current	<b>250mA</b>
Power Factor	<b>0,9</b>
Efficiency	<b>&gt;73%</b>
SVM	<b>&lt;0.4</b>
Pst	<b>&lt;1</b>
Class	<b>II</b>

### PHOTOMETRICAL DATA

Luminous Flux	<b>640</b>
Luminous Efficacy	<b>64</b>
Color Temperature	<b>3000</b>
Light Color (Designation)	<b>Warm White</b>
CRI	<b>&gt;98</b>
SDCM	<b>&lt;3</b>
Beam Angle	<b>24</b>
UGR	<b>&lt;10</b>

### LIFESPAN

Lifetime	<b>50000</b>
----------	--------------

### CERTIFICATES

Certificates	<b>CE, UKCA</b>
--------------	-----------------

### WARRANTY

Warranty	<b>5 Years</b>
----------	----------------

### LIGHT DISTRIBUTION

NOVA LUCE S.A

Schimatari Viotias  
32009, Greece

+30 22620 58 121  
+30 22620 56 743

info@novaluce.com  
www.novaluce.com

