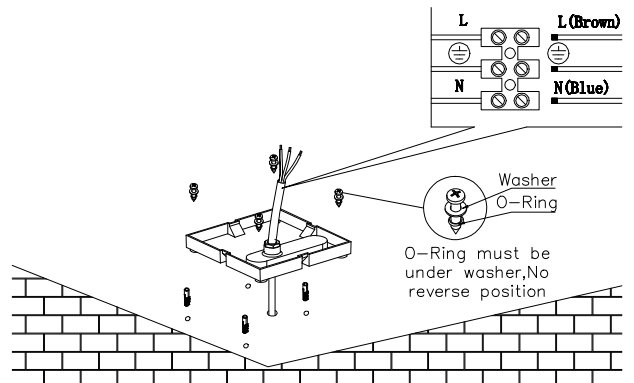
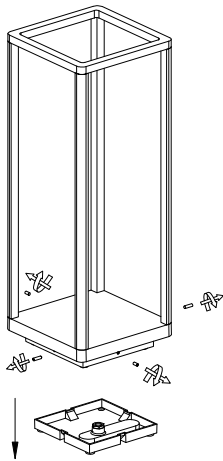


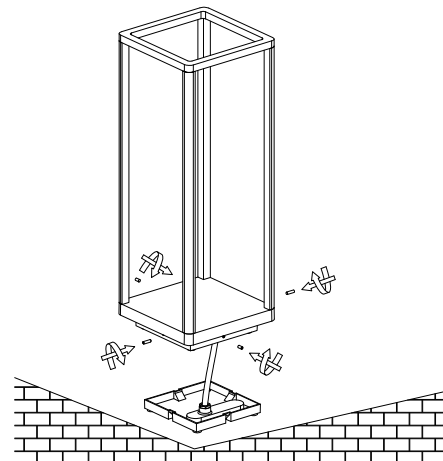
1. Turn off the general switch



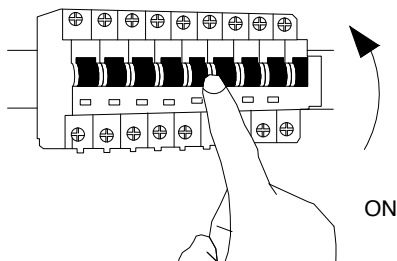
2. Apply screws & connect wires



3. Untie side screws



4. Connect wires & apply side screws



5. Turn on the general switch

