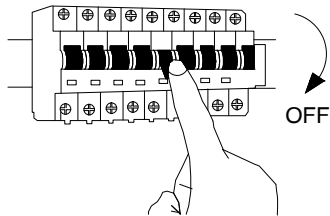
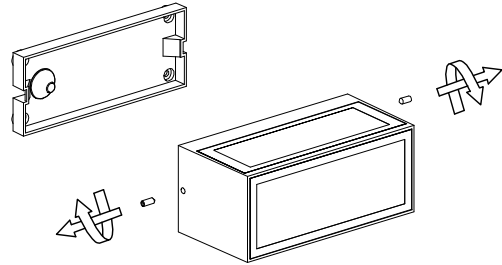


1



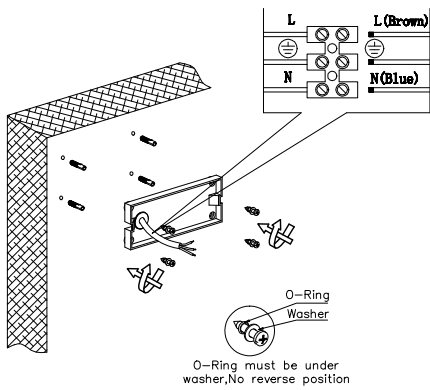
Turn off the general switch

2



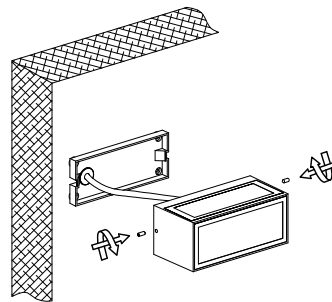
Untie side screws

3



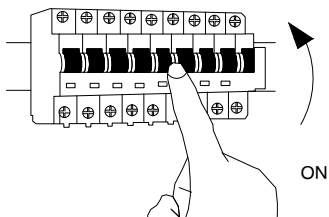
Apply anchors with screws & connect wires

4



Install cable & tie up screws to make it stable

5



Turn on the general switch

6

