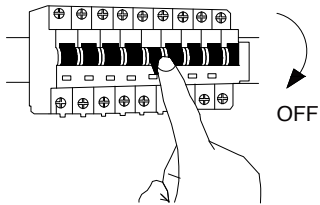
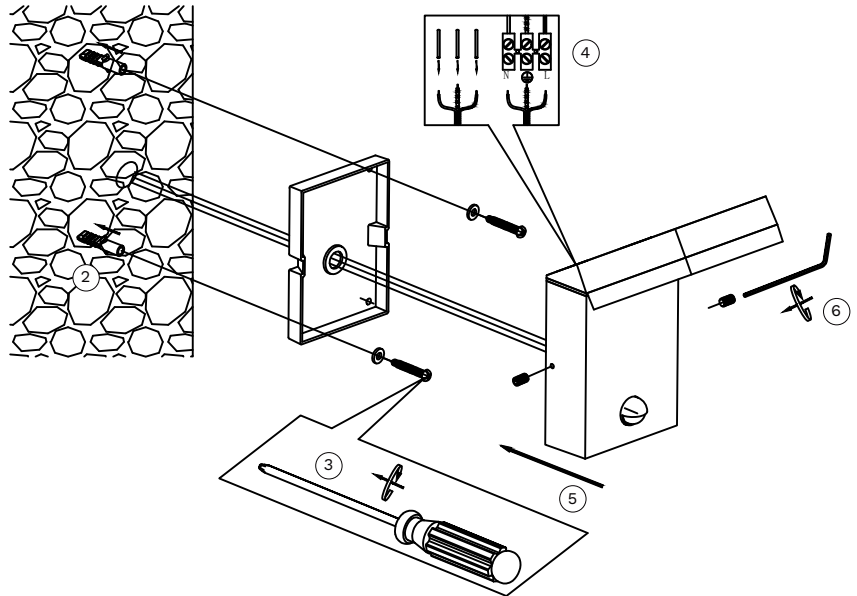


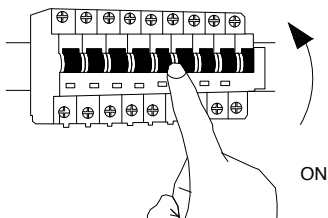
1



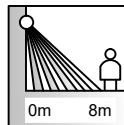
Turn off the general switch



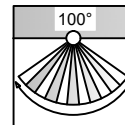
7



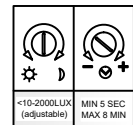
Turn on the general switch



Infrared motions induction, the induction distance is about 0-8 meters



Induction Angle, around 100 degrees



Can choose to work all day or just in the evening. The light time can be adjusted

1. Turn off general switch
2. Drill holes & apply plastic anchors
3. Make it stable by tying up screws
4. Connect the wires
5. Place the luminaire onto place
6. Tie up the side screws
7. Turn on the general switch

