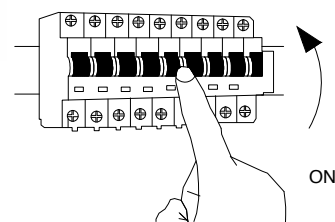
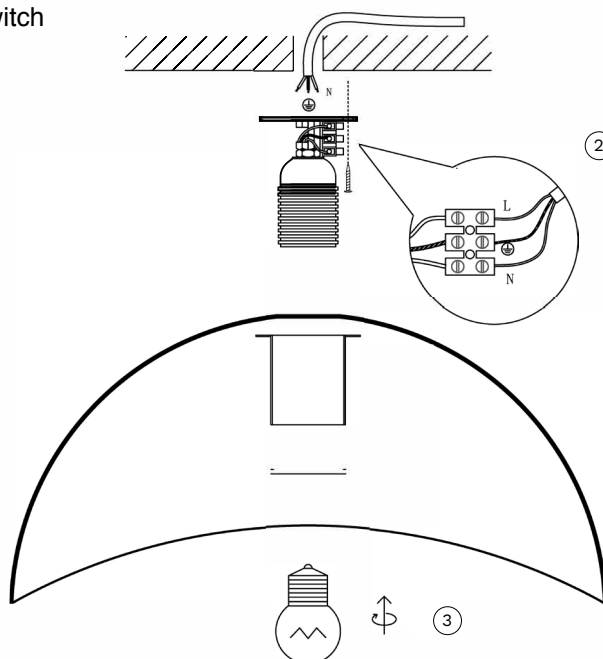


1. Turn off the general switch



4. Turn on the general switch

1. Turn off the general switch
2. Tighten screws & connect wires
3. Apply the bulb
4. Turn on the general switch

