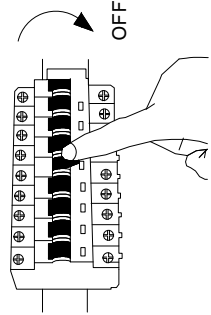


NOVA LUCE

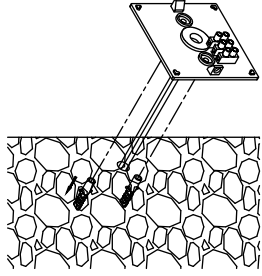
726408

1



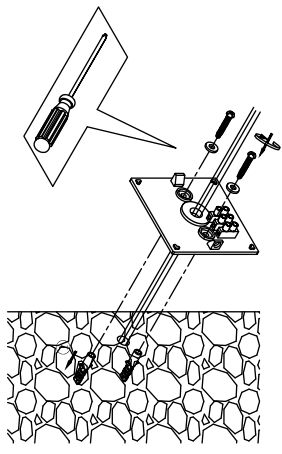
Turn off the general switch

2



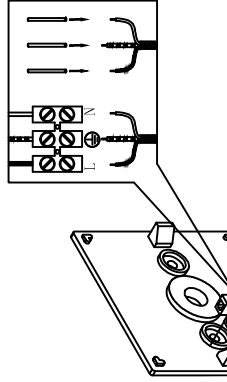
Mark, drill holes
& apply plastic anchors

3



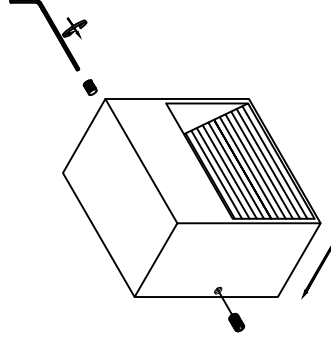
Tie up the screws into place

4



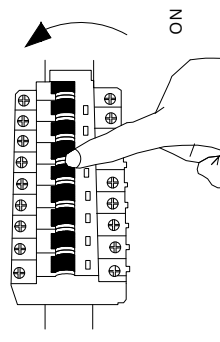
Connect wires

5



Apply the cap
by tying up the side screws

6



Turn on the general switch

