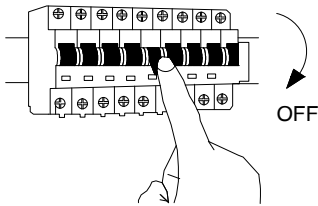
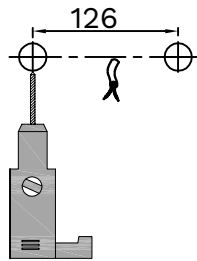


1



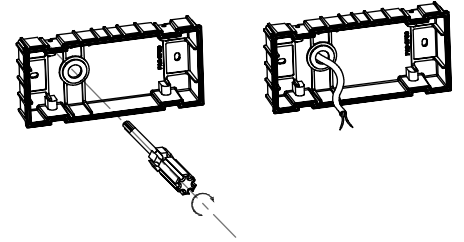
Turn off the general switch

2



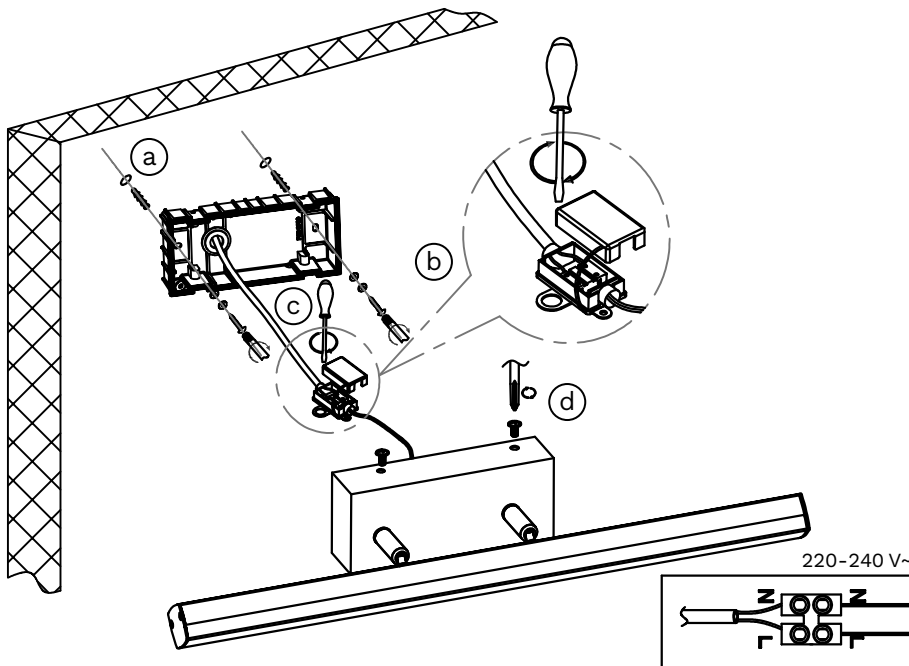
Align Mark & Drill holes

3



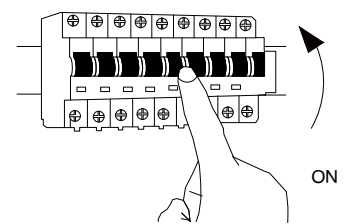
Connect wires

4



- a. Drill holes, apply plastic anchors
- b. Connect wires
- c. Fix the driver's cap onto place
- d. Apply screws to make luminaire stable

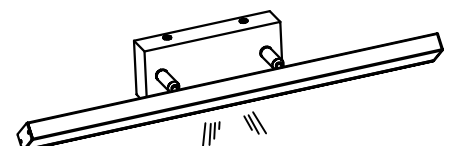
5



Turn on the general switch

6

ART NR.:787004



Turn on the light

