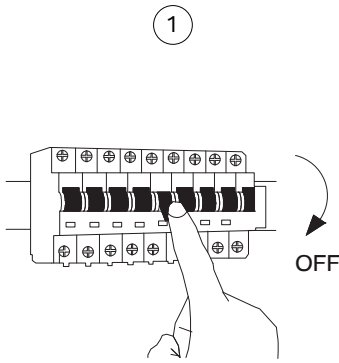
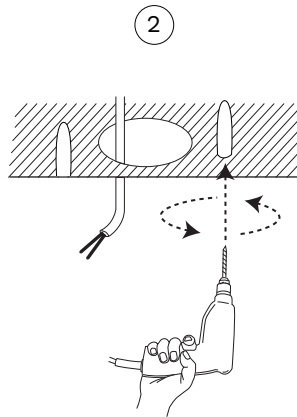


NOVA LUCE

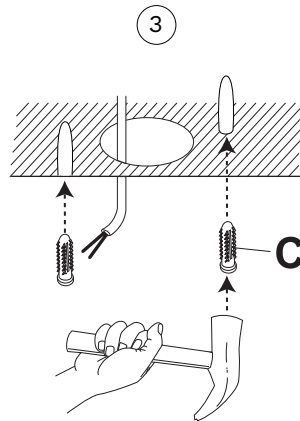
9001070, 9001071



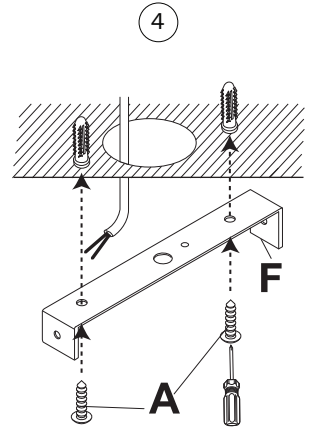
Turn off the general switch



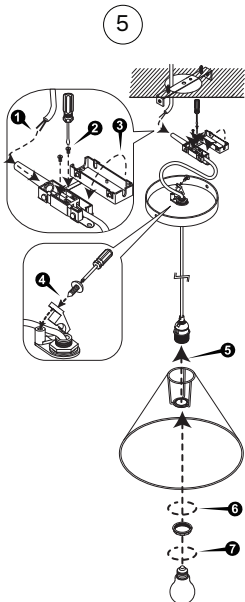
Make room to place the product
Pull down wiring
Apply plastic anchors (C) & connect wires



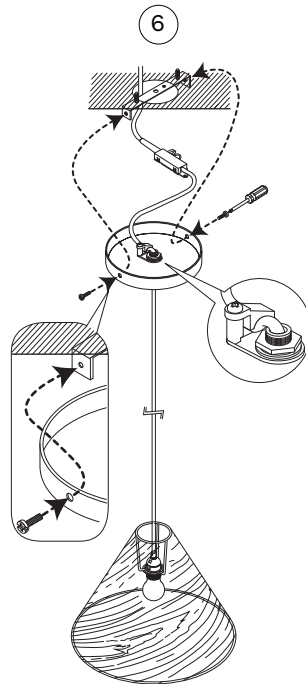
Use screws (C) to guide the hole



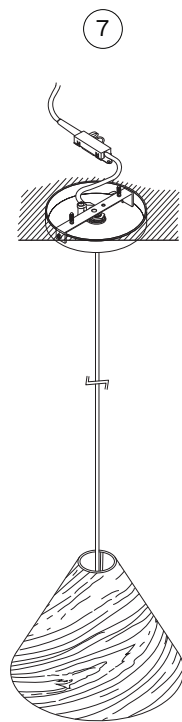
Use screw (A)
to lock tight the mounting plate (F)
in the center & tie up screws (A)
to make it stable



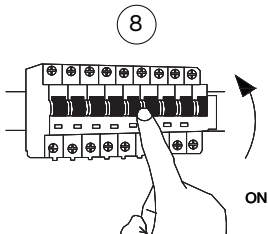
(1) (2) Open the cover of junction box (D),
to connect the wiring.
(3) Then tie up the cover back.
(4) Adjust th wiring to suitable length,
then screw tight
(5) Insert the lampshade/shade (H) on the socket,
(6) tie up the washer tight (G)
(7) Apply the light bulb by rotate.



Use screws (B) to tie up the canopy (E)
& mounting plate (F).



Assembly completed



Turn on the general switch

