

NOVA LUCE

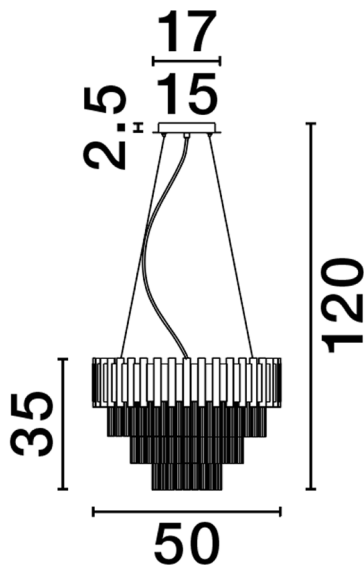
PRODUCT DATASHEET

Version: 001

PRODUCT PHOTOGRAPH



TECHNICAL DRAWING



GENERAL INFORMATION

Product Code	9824081
Collection	Decorative
Product Category	Suspension
Product Family	Magnolia
Mounting Location	Ceiling
Application Environment	Indoor

DIMENSION & WEIGHT

LxWxH (cm)	D: 50 H: 120
Cut out (cm)	N/A
Weight (Kgr)	5.2

MATERIAL & COLOR

Product Color	Gold
Body Material	Aluminium & Crystal

APPLICATION & MOUNTING

Ambient Working Temp.	Max 45 oC
Type of Protection	IP20
Dimmable	Depends on the lamp
Type of Dimming (Optional)	N/A
Mounting type	Ceiling
Mounting Depth (cm)	N/A
Led Module Replaceable	Yes
Light Source	LED E14

NOVA LUCE S.A

Schimatari Viotias
32009, Greece

+30 22620 58 121
+30 22620 56 743

info@novaluce.com
www.novaluce.com



NOVA LUCE

PRODUCT DATASHEET

Version: 001

ELECTRICAL DATA

Power (Nominal)	Depends on the lamp
Input voltage (Nominal)	220-240Vac
Mains Frequency	50/60Hz

PHOTOMETRICAL DATA

Luminous Flux	Depends on the lamp
Color Temperature	Depends on the lamp
Light Color (Designation)	N/A

WARRANTY

Warranty	3 Years
----------	----------------

CERTIFICATES

Certificates	CE,UKCA
--------------	----------------

