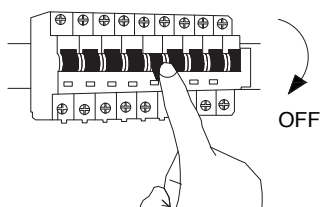


NOVA LUCE

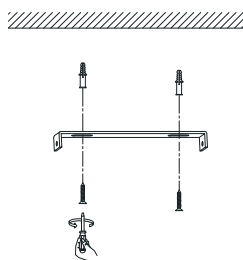
9392012

1



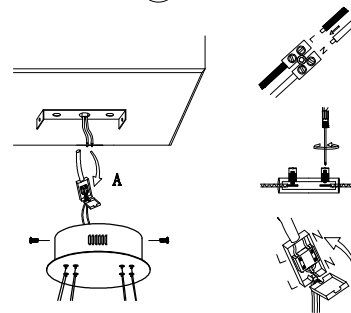
Turn off the general switch

2



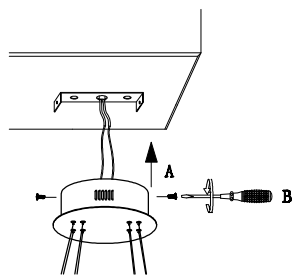
Drill holes & apply plastic anchors
With screws

3



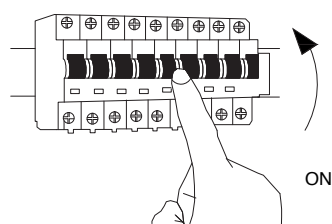
Connect the wires

4



Apply the side screws

5



Turn on the general switch

