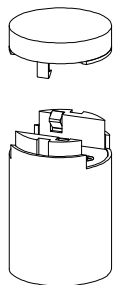
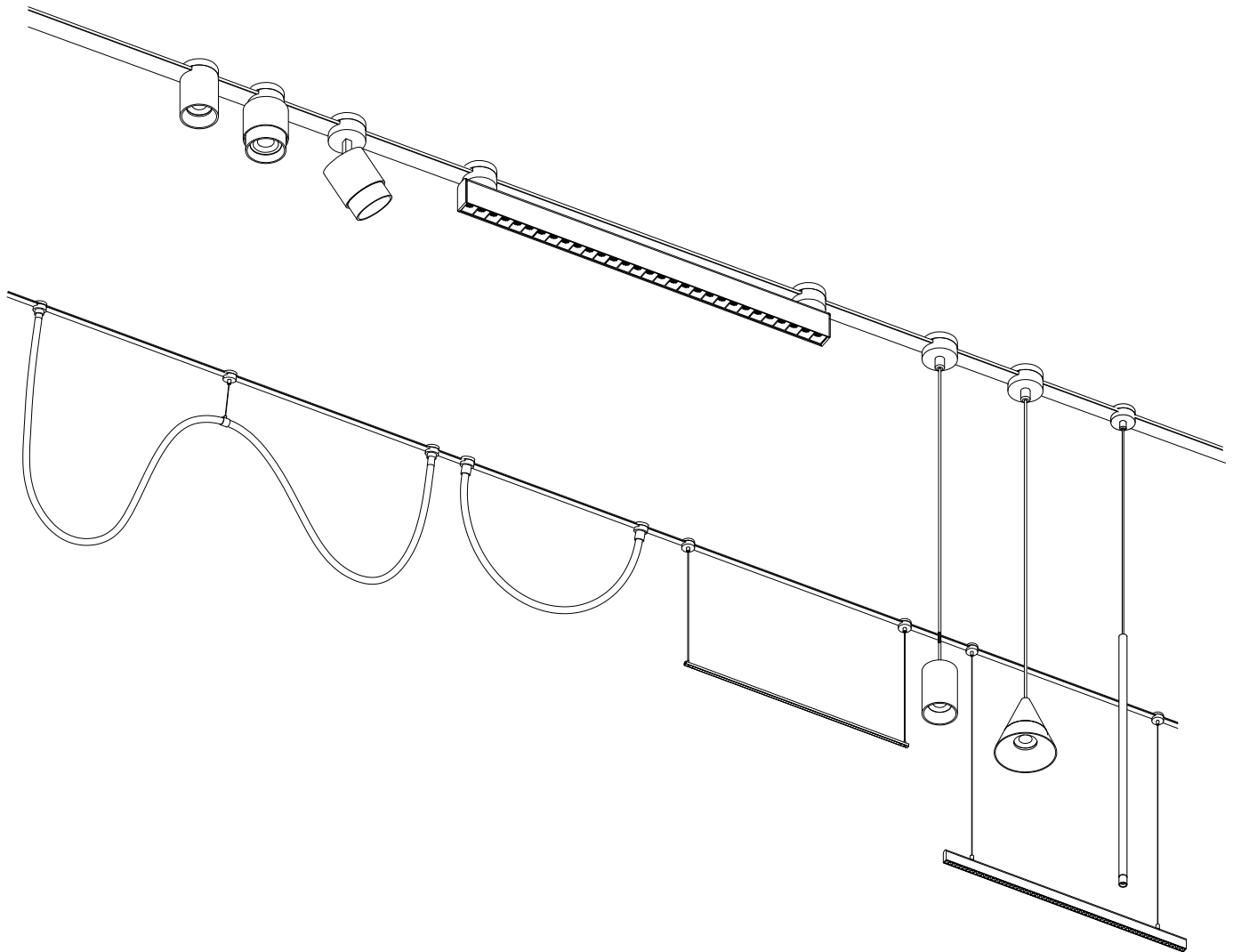
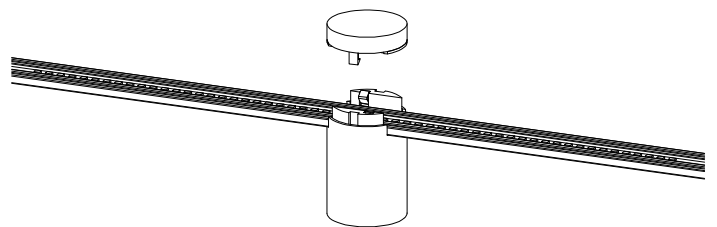


Example of module light installation



1. Open the upper cover



2. Install on the track