

NOVA LUCE

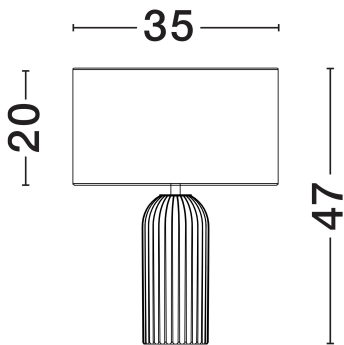
PRODUCT DATASHEET

Version: 001

PRODUCT PHOTOGRAPH



TECHNICAL DRAWING



GENERAL INFORMATION

| | |
|-------------------------|---------|
| Product Code | 9540243 |
| Collection | Indoor |
| Product Category | Table |
| Product Family | Ammos |
| Mounting Location | Table |
| Application Environment | Indoor |
| Specifications | N/A |

DIMENSION & WEIGHT

| | |
|--------------|-------------|
| LxWxH (cm) | D: 35 H: 47 |
| Cut Out (cm) | N/A |
| Weight (Kgr) | 2.1 |

MATERIAL & COLOR

| | |
|---------------|-----------------------|
| Product Color | White |
| Body Material | Gypsum & Fabric Shade |

APPLICATION & MOUNTING

| | |
|------------------------|----------|
| Ambient Working Temp. | Max 45°C |
| Type of Protection | IP20 |
| Dimmable | N/A |
| Type of Dimming | N/A |
| Mounting type | Surface |
| Mounting Depth (cm) | N/A |
| Led Module Replaceable | Yes |
| Light Source | E27 |

NOVA LUCE S.A

Schimatari Viotias
32009, Greece

+30 22620 58 121
+30 22620 56 743

info@novaluce.com
www.novaluce.com



NOVA LUCE

PRODUCT DATASHEET

Version: 001

ELECTRICAL DATA

| | |
|-------------------------|-----------------|
| Power (Nominal) | 1x12W |
| Input voltage (Nominal) | 220-240V |
| Mains Frequency | 50/60Hz |

PHOTOMETRICAL DATA

| | |
|---------------------------|------------|
| Luminous Flux | N/A |
| Color Temperature | N/A |
| Light Color (Designation) | N/A |

WARRANTY

| | |
|----------|----------------|
| Warranty | 3 Years |
|----------|----------------|

CERTIFICATES

| | |
|--------------|----------------|
| Certificates | CE,UKCA |
|--------------|----------------|

