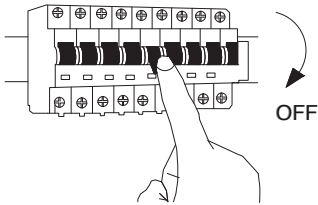


NOVA LUCE

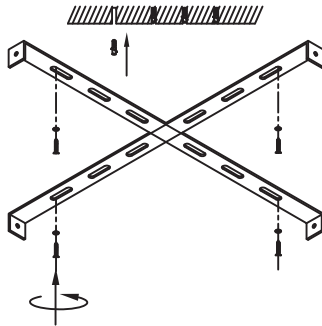
9081804

1



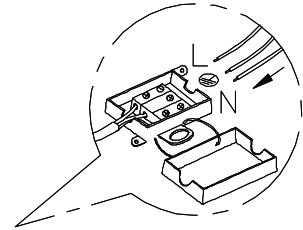
Turn off the general switch

2



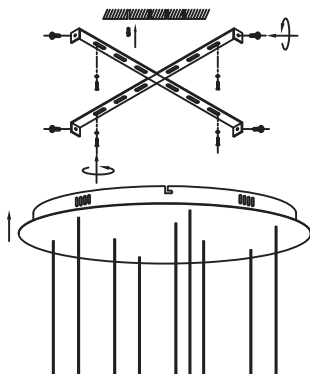
Align, mark & drill holes
Tie up the screws

3



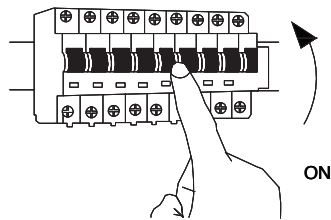
Connect wires

4



Tie up side screws
to make it stable

5



Turn on the general switch

