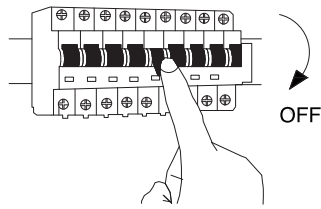
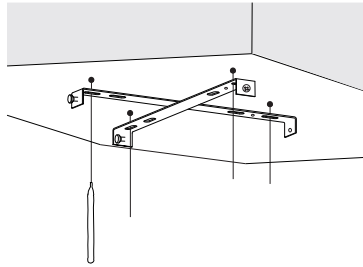


# NOVA LUCE

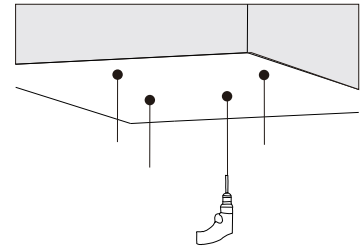
9005654,9005655,9005642  
9005644,9005643,9005653



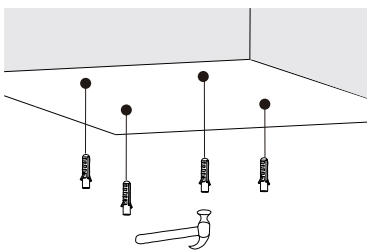
1. Turn off the general switch



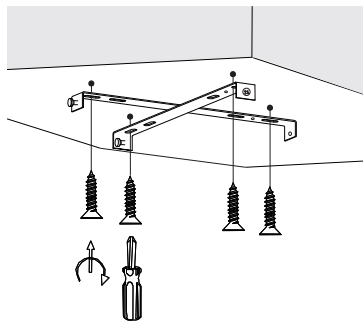
2. Mark where to drill holes



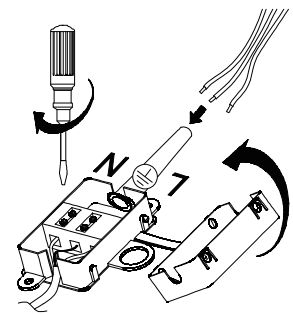
3. Drill on the marked areas



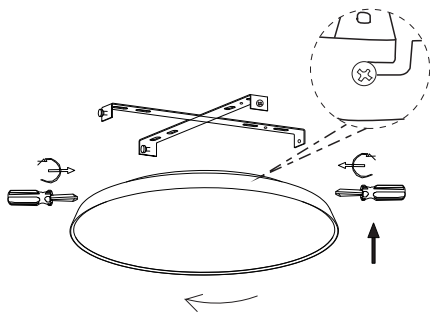
4. Apply plastic anchors



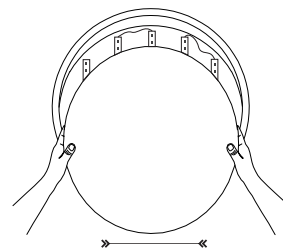
5. Apply screws



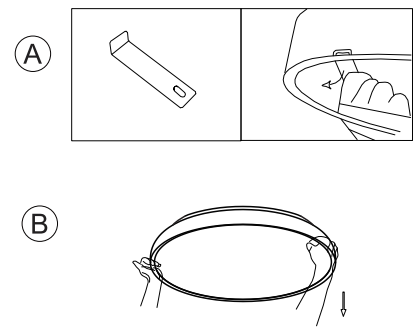
6. Connect the wires



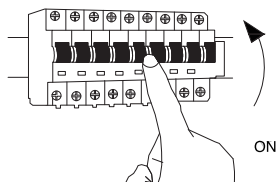
7. Apply the product by rotating



8. Put the product in place



9. With the extra tool edjust product



10. Turn on the general switch

