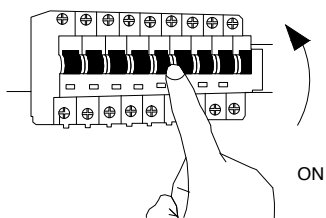


# NOVA LUCE

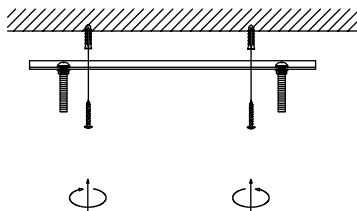
9006057

1



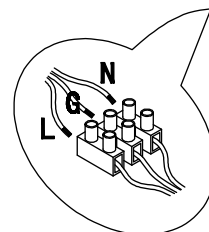
Turn off the general switch

2



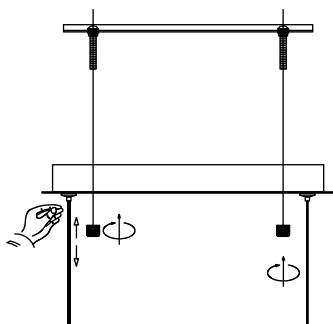
Align, mark & drill holes,  
Apply plastic anchors & tie up screws

3



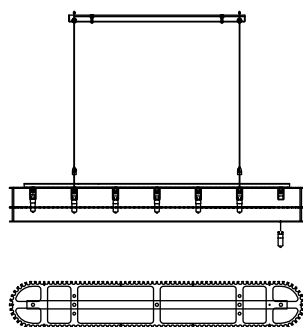
Connect wires

4



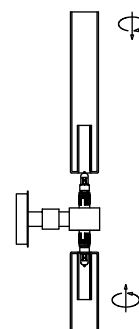
Tie up nuts to put it in place

5



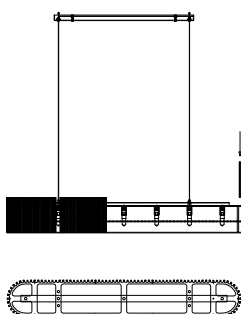
Insert the bulbs

6



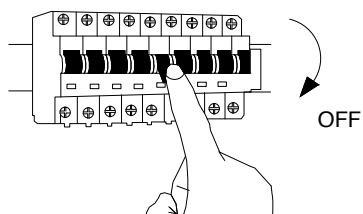
Tie up the caps by rotate

7



Insert pieces into place

8



Turn on the general Switch

