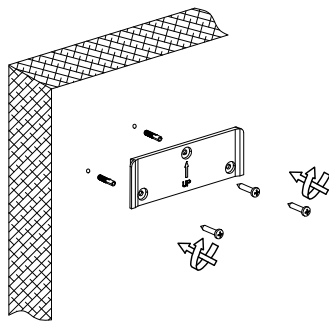
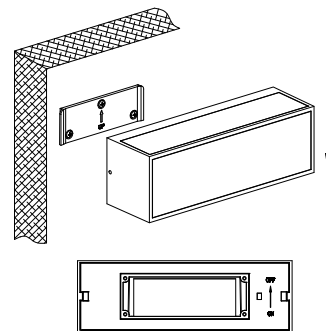


1. Remove lid by sliding it down

---



2. Tie up screws to make base stable



3. By sliding it down put it in place

---

