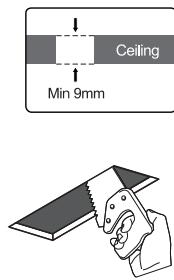
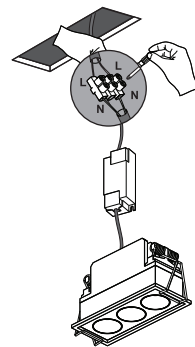


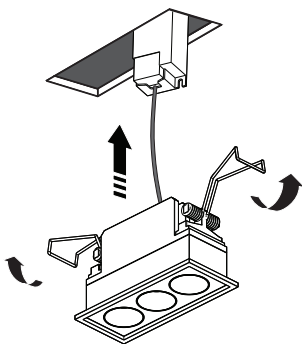
1. Turn off the general switch



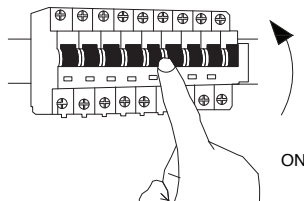
2. Cut out 11 x 3 cm



3. Connect the wires



4. Put it in place by pressing  
The sides



5. Turn on the general switch

