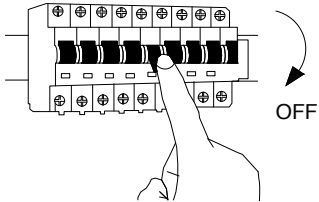


NOVA LUCE

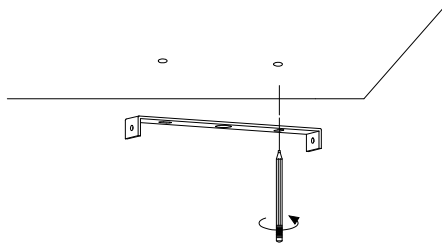
9130653

①



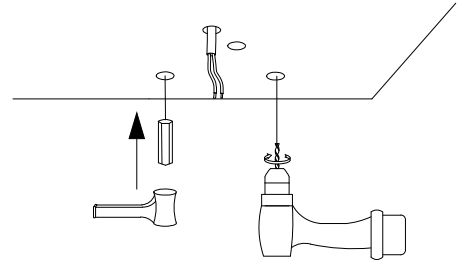
Turn off the general switch

②



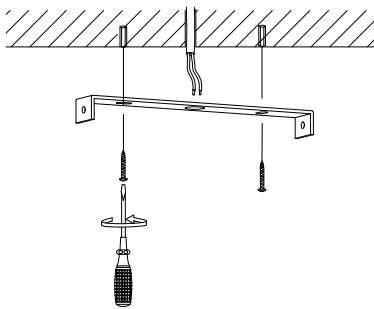
Mark where to drill holes

③



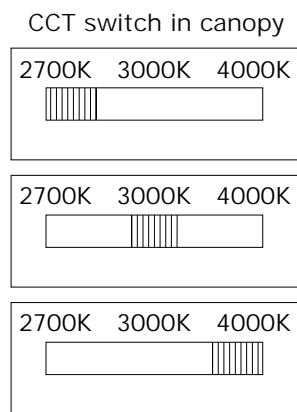
Make holes & apply anchors

④



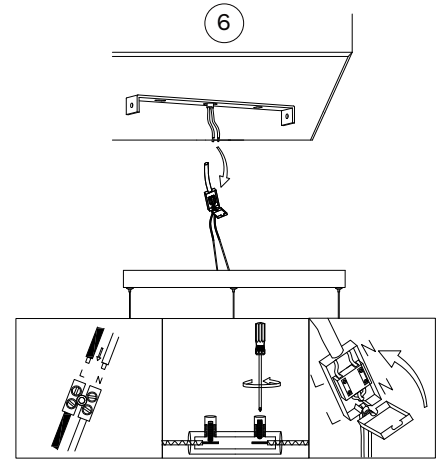
Tie up the screws
to make it stable

⑤



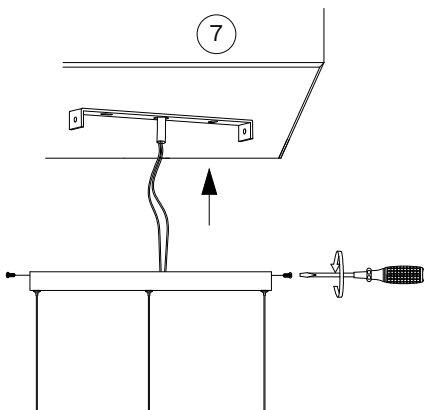
Choose the color temperature

⑥



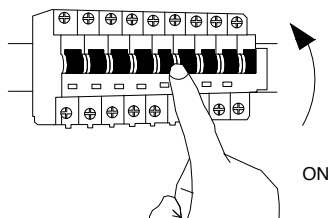
Connect the wires

⑦



Put it in place
& Apply side screws

⑧



Turn on the general switch

⑨

