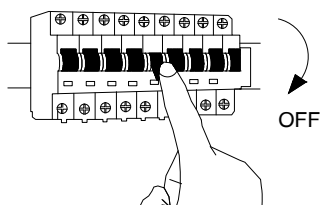
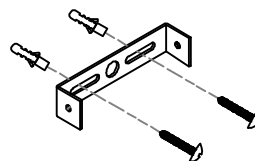


NOVA LUCE

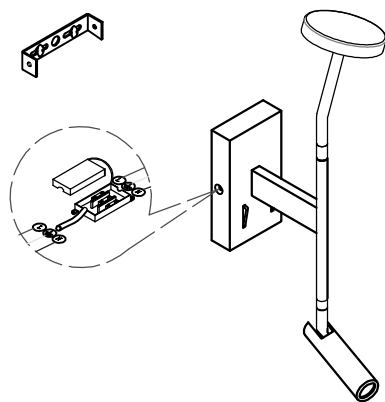
9540250



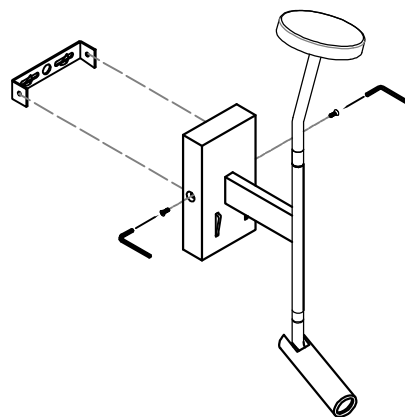
1. Turn off the general switch



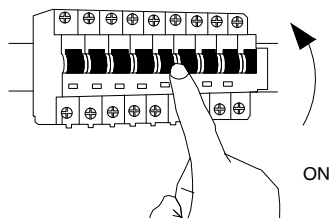
2. Drill holes, apply plastic anchors with screws



3. Connect the wires & put it in place



4. Apply side screws to connect parts



5. Turn on the general switch

