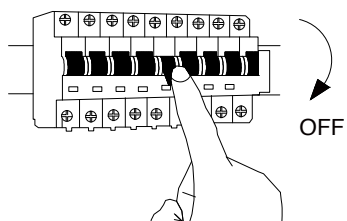


# NOVA LUCE

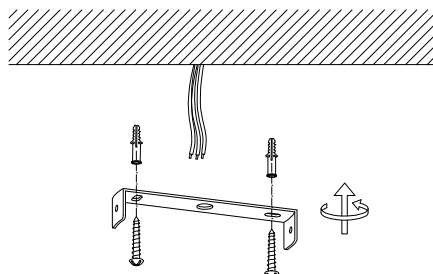
9620141

1



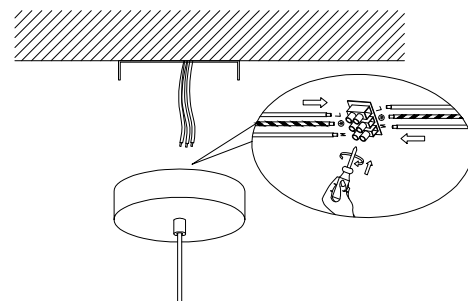
Turn off the general switch

2



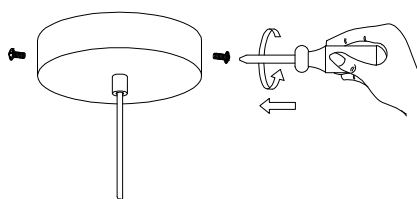
Drill holes  
Apply plastic anchors with screws

3



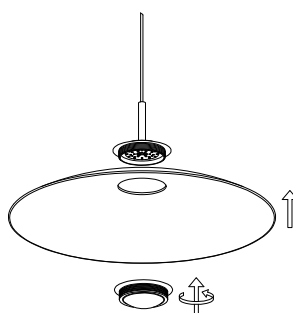
Connect the wires

4



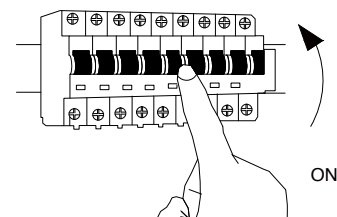
Apply side screws to make it stable

5



Apply the glass & the cap  
into place to make it stable

6



Turn on the general switch

