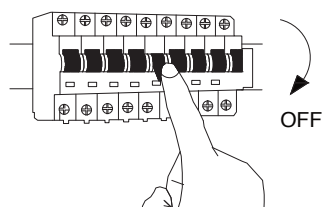
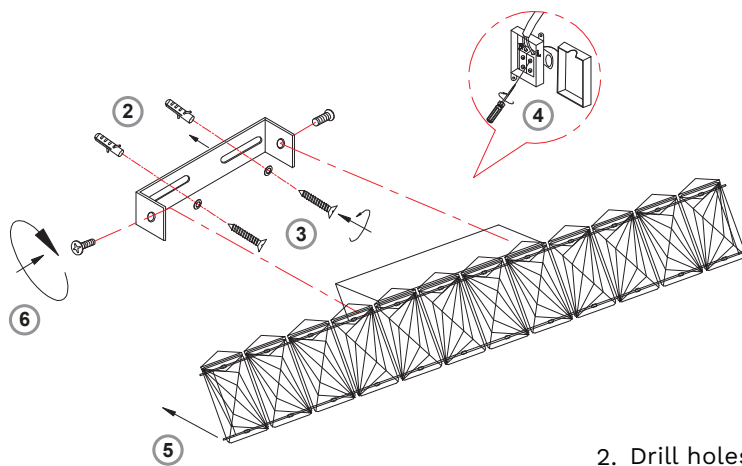


①

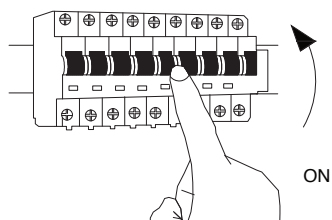


Turn off the general switch



2. Drill holes & apply plastic anchors
3. Tie up screws
4. Connect the wires
5. Apply the product in to place
6. Apply the side screws

⑦



Turn on the general switch

