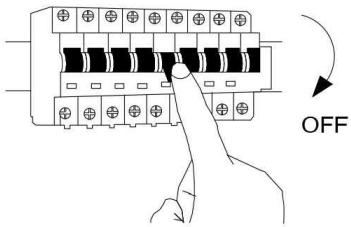


NOVA LUCE

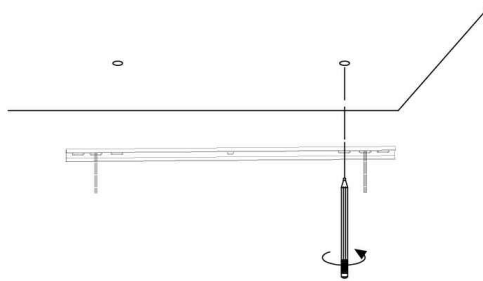
9190211

①



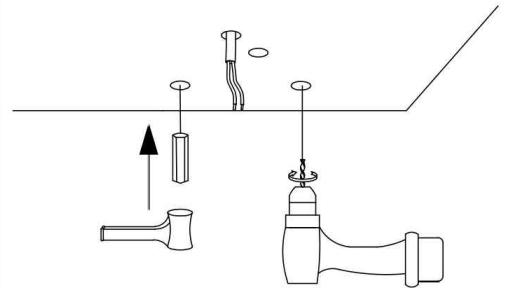
Turn off the general switch

②



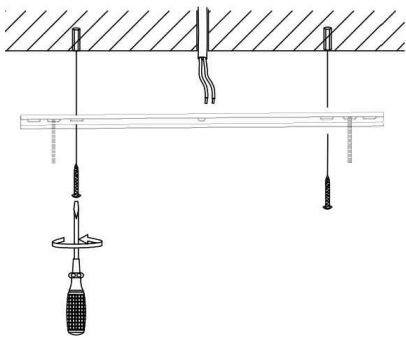
Mark where to drill holes

③



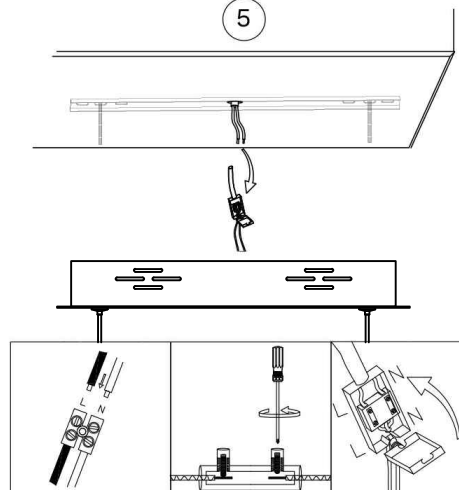
Make holes & apply anchors

④



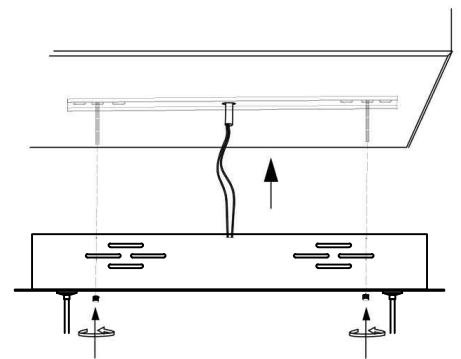
Tie up the screws to make it stable

⑤



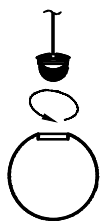
Connect the wires

⑥



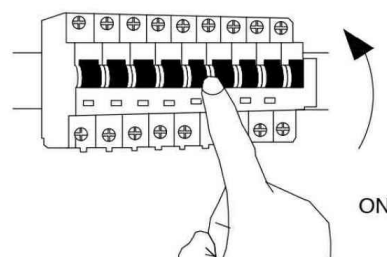
Put the canopy in place & Apply screws

⑦



Put the glass cover on the aluminum parts

⑧



Turn on the general switch

