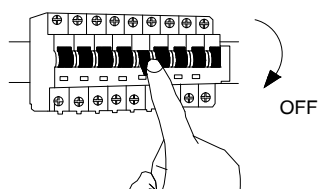


# NOVA LUCE

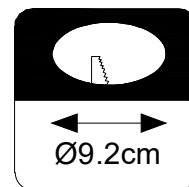
9430124/ 9430125

1

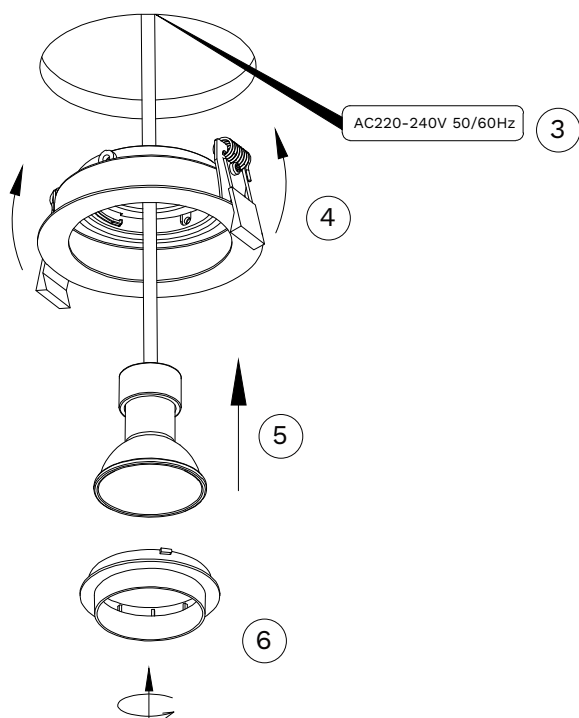
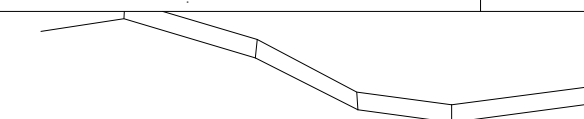


Turn off the general switch

2



Create a CutOut



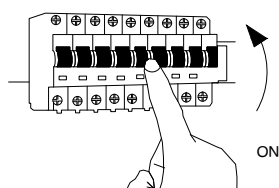
3. Connect wires

4. Press brackets together to insert the luminaire into the hole

5. Insert the bulb by rotate

6. Fix luminaire into place

7



Turn on the general Switch

