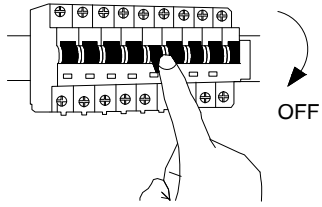
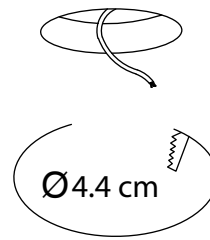


NOVA LUCE

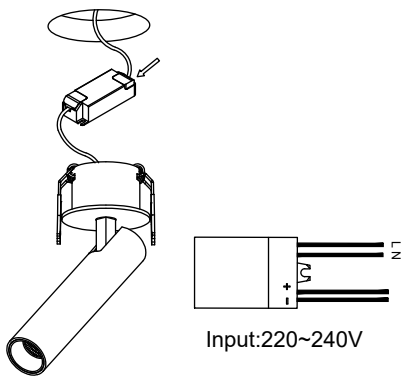
9232123



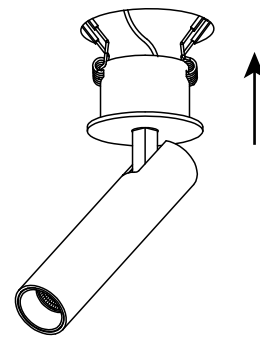
1. Turn off the general switch



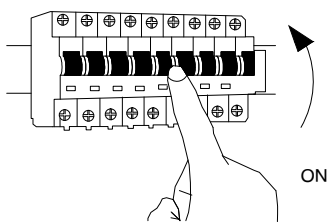
2. Create a cut out on the wall



5. Connect wires of the driver



6. Insert the lamp on the wall



7. Turn on the general switch

